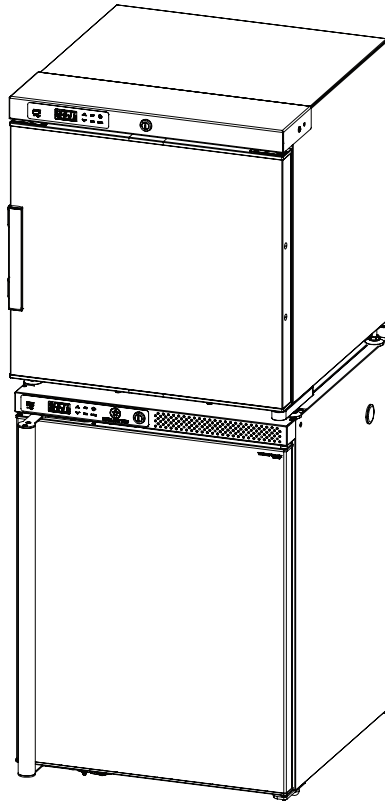
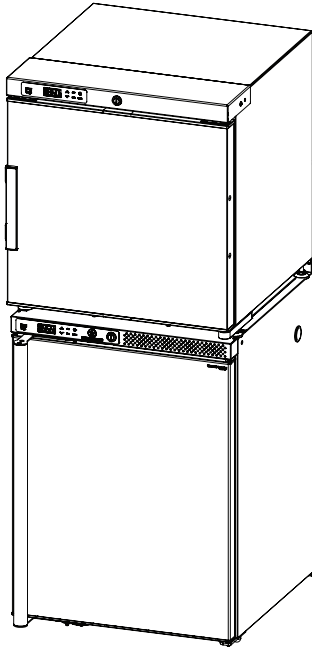


ASSEMBLY GUIDE - STACKING KIT

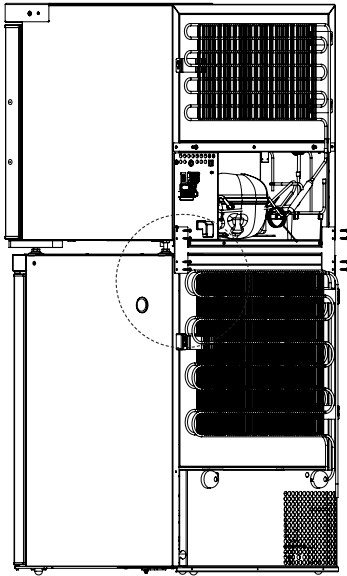


Assembly guide



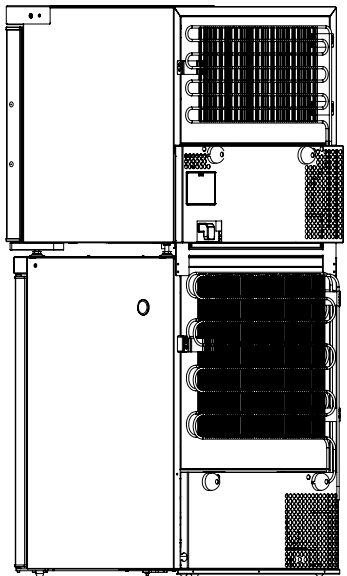
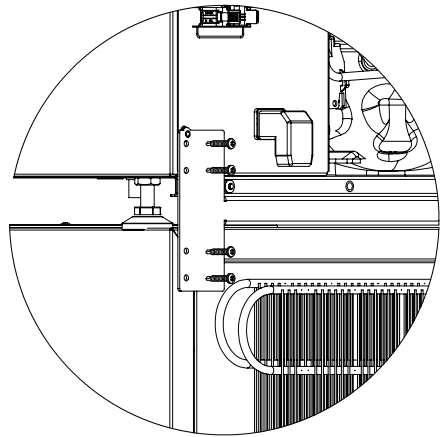
Stack the units on top of one another

In case the upper appliance is equipped with an engine room cover, remove this before proceeding



Place the bracket between the two units

Mount the bracket With the 8 self-tapping screws



Place the engine room cover again



Revision date: 21-02-2022
Drawing no.: 8181211 rev 03