

BIOMEDICAL SOLUTIONS
FREEZERS
GEFRIERGERÄTE
CONGÉLATEURS

CONTENTS

- WARNING 4**

- PRODUCT DESCRIPTION 7**
 - Before use 7
 - Electrical connection 8
 - Intended use. 9
 - Room climate classes. 9

- FREEZER COMPONENTS 10**
 - Front & internal view 10
 - Backview. 11
 - Sensor placement 12

- DISPLAY COMPONENTS 13**

- INSTALLATION AND START-UP 14**
 - Ventilation guards 14
 - Battery backup 15
 - Location and ventilation 16
 - Levelling the appliance 17
 - Porthole 18
 - Remote alarm function 19

- INTERIOR FITTING VTS098 20**

- CONTROLLER- OPERATION AND FUNCTION 21**

- MAINTENANCE 22**

- GENERAL INFORMATION 23**
 - Warranty, spare parts and service 23

- DISPOSAL. 24**

WARNING

As the appliance contains a flammable refrigerant, it is essential to ensure that the refrigerant pipes are not damaged.

The quantity and type of the refrigerant used in your appliance is indicated on the rating plate.

Standard EN378 specifies that the room in which you install your appliance must have a volume of 1m³ per 8 g of hydrocarbon refrigerant used in the appliances. This is to avoid the formation of flammable gas/air mixtures in the room where the appliance is located in the event of a leak in the refrigerant circuit.

WARNING:

Keep ventilation openings in the appliance's cabinet or in the built-in structure clear of obstruction.

WARNING:

Do not use other mechanical devices or other means to accelerate the defrosting process than those recommended by the manufacturer.

WARNING:

Do not damage the refrigerant system.

WARNING:

Do not use electrical appliances inside the refrigerated storage compartment, unless they are of a type recommended by the manufacturer.

WARNING:

Do not expose the appliance to rain, and secure not splashing water when cleaning the floor.

WARNING:

the appliance is not to be used by persons (including children) with reduced physical, sensory or mental capabilities, or lack of

experience and knowledge, unless they have been given supervision or instruction.

WARNING:

Children being supervised not to play with the appliance.

WARNING:

Do not store explosives, such as aerosol cans with flammable propellants in the unit.

WARNING:

Danger risk of fire or explosion if flammable refrigerant are used.
To be repaired only by trained personnel.



WARNING:

When positioning the appliance, ensure the power cord is not trapped or damaged.

WARNING:

Do not locate multiple portable socket-outlets or portable power supplies at the rear of the appliance.

WARNING:

Sharp edges on cabinet, compressor compartment, evaporator, ventilation cover and on internal equipment can occur. Please be aware to avoid injury.

WARNING:

The condenser on the back of the appliance will in some cases have a hot surface. Please be aware to avoid injury.

WARNING:

The appliance must be connected to power minimum 12 hours before using it for storage of medicine.

- Always keep the keys in a separate place and out of reach of children.
- Do not step on the lower panel to reach medicine in the top of the appliance.
- Before servicing or cleaning the appliance, unplug the appliance from the mains or disconnect the electrical power supply.
- If the supply cord is damaged, it must be replaced by the manufacturer, its service agent, or similarly qualified persons in order to avoid a hazard.
- Relevant for Australia: Supply cord fitted with a plug complies with AS/NZS 3112.
- Frost formation on the interior evaporator wall and upper parts is a natural phenomenon. Therefore, the appliance should be defrosted during normal cleaning or maintenance.
- Please note that changes to the appliance construction will cancel all warranty and product liability.
- This device is intended to be used exclusively for medical products.
- If medicine is spilled in the appliance or the defrost water canal is has to be cleaned immediately to avoid the medicine to evaporate to the surroundings.
- If the instructions is lost please contact your supplier of the appliance to have a new instruction for use.
- If service needed to this device, please be aware of only using service personnel with education in handling medical devices.

Flammable Material Storage Freezer

Sparkfree interior to reduce the risk of internal explosion.

Interior temperature range: +1°C to 15°C

The interior comprise this safety marking:

CE  II 3G nA IIB T6

**NOTE:**

- Combustible materials may be stored inside cabinet. but the cabinet is not approved for potential explosive areas.
- Combustible materials shall be stored in approved containers.
- Danger of sparks due to electrostatic discharge. Do not use a dry cloth to clean plastic parts. Clean plastic parts with a damp cloth only!

PRODUCT DESCRIPTION

Before use

This user manual is intended for the following product models:

Tabletop	Undercounter
ULTF-37	VTS 098

We recommend that you read this user manual before using the unit for the first time. Vestfrost Solutions does not guarantee safe operation if the unit is used for anything other than its intended use. Contents of the user manual can be subject to change without notice.

This manual should be considered an integral part of the unit and should be stored close to the unit and be easy to access.

For current versions of the manual, please visit <https://www.vestfrostsolutions.com/biomedical/>.

Before operating your new appliance, please read the following instructions carefully:

1. Check to ensure the appliance has not been damaged during transport. Transport damage should be reported to the transporter delivery.
2. The foil on the shelves must be removed before cleaning and using the unit.
3. Clean the inside of the cabinet using warm water with a mild detergent. Use a soft cloth and rinse with clean water and dry thoroughly.
4. Allow the freezer to stay at an upright position for at least one hour before switched on.
5. Allow the freezer to operate at the desired temperature for a minimum of 12 hours before loading.

A-weighted emission sound pressure level is below 70 dB(A)

Electrical connection

Wiring and connections in power supply systems must be all applicable (local and national) electrical codes. Consult these codes lengths and sizes prior to cabinet installation.

This device complies with relevant EU directives including Low Voltage Directive 2014/35/EU and Electromagnetic Compatibility Directive 2014/30/EU

The socket should be freely accessible.

Connect the appliance only to 220/240V / 50Hz alternating current via a correctly installed earthed socket.

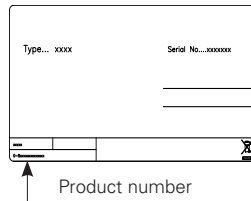
The socket must be fused with a 10A or 13A fuse.

If the appliance is to be operated in a non-European country, check on the rating plate whether the indicated voltage and current type correspond to the values of your mains supply.

Data regarding voltage and absorbed power / current are given on the rating plate.

The power cord may be replaced by a technician only.

The rating plate provides various technical information as well as type and serial number.



Intended use

Vestfrost biomedical freezers are designed to provide reliable temperature stability and precision and ensure an ideal cold temperature storage for sensitive items is achieved. The products are designed for the following operating ranges:

Models	ULTF-37 / VTS098
Temperature range	-60°C to -86°C
Fabric Set Point	-82°C
Ambient Temperature	+16°C to +32°C
Relative humidity	MAX 70 %
Number of probes	1



WARNING: This unit is not a “rapid-freeze” device. Freezing large quantities of liquid, or high-water content items, will temporarily increase the chamber temperature and will cause the compressors to operate for a prolonged time period. Avoid opening the door for extended time periods since chamber temperature air will escape rapidly. Also, keep the inner doors closed as much as possible. When room air, which is higher in humidity, replaces chamber air, frost may develop in the chamber more rapidly.

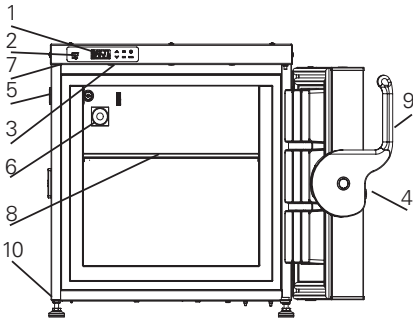
Room climate classes

The climate class is stated on the nameplate. This specifies the optimum room temperature.

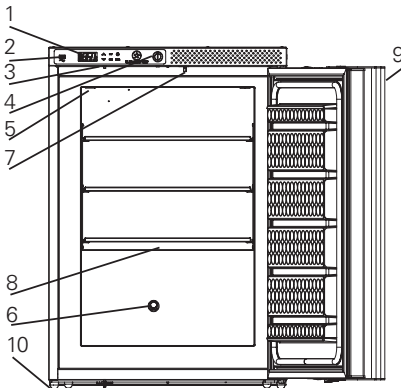
Room climate class	Max room temperature °C	Relative humidity %
3	25	60
4	30	55
5	40	40
7	35	75

FREEZER COMPONENTS

Front & internal view



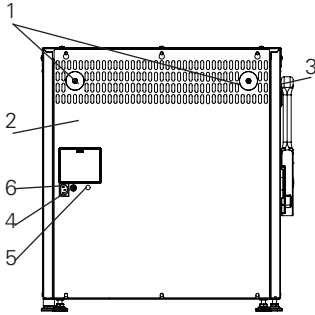
ULTF-37



VTS 098

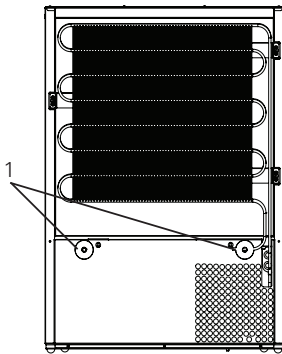
1. Display – With integrated keyboard
2. USB port – Export historical data. See chapter Display components
3. Light – Only when door is opened
4. Lock – Push and turn lock. “Insert the key into the keyhole and push and turn the key 180 degrees clockwise”.
5. Porthole – Hole for external sensor and CO² backup. See chapter Installation and Start-up
6. Vacuum release – Ensure the door opens easily. IMPORTANT make sure its free of ice. See chapter Maintenance
7. Door contact – Can be both a magnetic or mechanical contact.
8. Shelf. See chapter Installation and Start-up
9. Door handle
10. Feet / Adjustable feet – some have anti slip. See installation and start-up

Backview



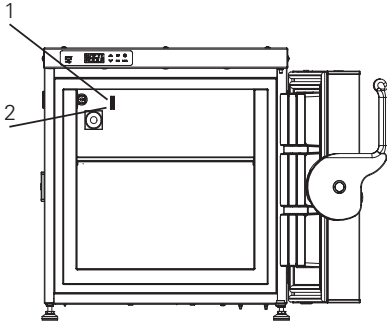
ULTF-37

1. Ventilation guards.
See chapter Installation and Start-up.
2. Rating plate.
3. Porthole – Hole for external sensor and CO2 backup.
See chapter Installation and Start-up
4. Voltage free contact.
See chapter Remote alarm function for more information.
5. Battery backup button – It will take 10 days for the battery to be fully charged.
See chapter Installation and Start-up
6. Power supply – IEC plug or hardwired.



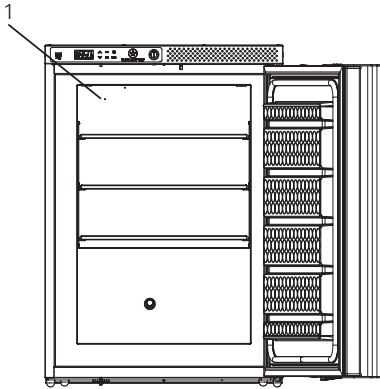
VTS 098

Sensor placement



ULTF-37

1. TR3 – Regulating probe.
2. External sensor – Use a 3.5mm cable tie to mount external sensor. The cable tie can be found in the plastic bag.



VTS 098

Display components



LEDS

Each LED function is described in the following table.

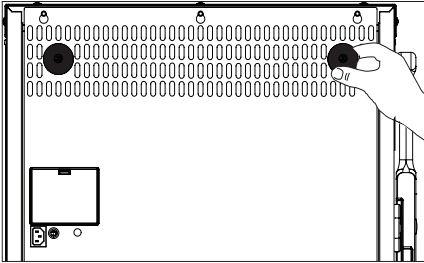
LED	MODE	Function
	ON	Compressor enabled
	Flashing	Anti-short cycle delay enabled
	ON	An alarm is occurring
	ON	Recording activated
	ON	Battery status OK
	Flashing	Battery is being charged
	Flashing	Charging problem or battery failure
°C/°F	ON	Measurement unit
°C/°F	Flashing	Programming phase

Buttons

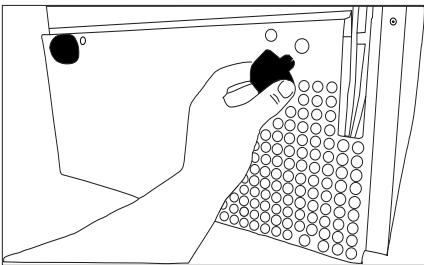
SET	To display target set point in programming mode it selects a parameter og confirm an operation.
	(UP) To enter fast access menu In programming mode it browses the parameter codes or increases the displayed value.
	(DOWN) In programming mode it browses the parameter codes or decreases the displayed value.
DATA	Export data from button.
	Not relevant.
REC	Log activation and deactivation from button (Password protected).

INSTALLATION AND START-UP

Ventilation guards



Tabletop



Undercounter VTS098

The two ventilation guards are mounted before moving the appliance to its final placement.

The guards function is to secure an absolute minimum of ventilation, if the appliance is pushed too close up against a wall.

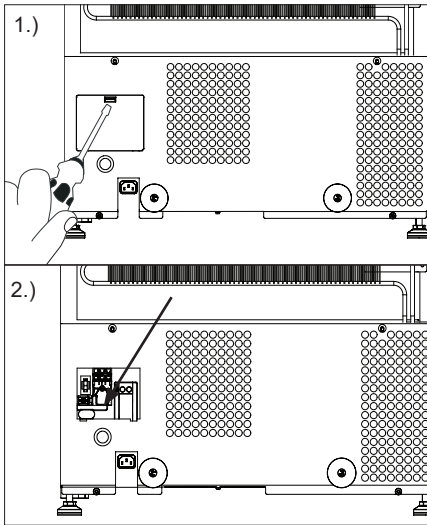
Steps:

1. Mount the ventilation guards in the holes on the backcover.

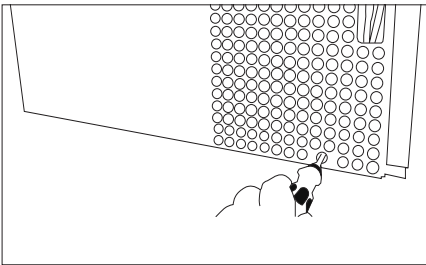
Note!

(Some models have pre mounted ventilations guards)

Battery backup




Tabletop



Undercounter VTS098

The appliance is equipped with a battery backup system, which supplies the controller with power at power failure. The backup system duration is 48 hours.

Steps:

1. Push the orange button to switch on the battery backup system.
2. Check if the display for the battery status-LED is ON 

Note!

When starting up the appliance for the first time it is necessary to charge the battery for 10 days.

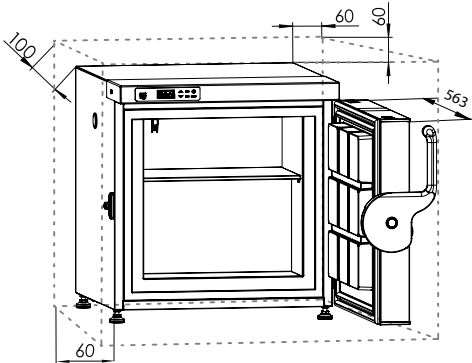
Note!

The battery backup system does not supply the cooling system with power. When starting up the appliance for the first time it is necessary to switch on the battery backup system.

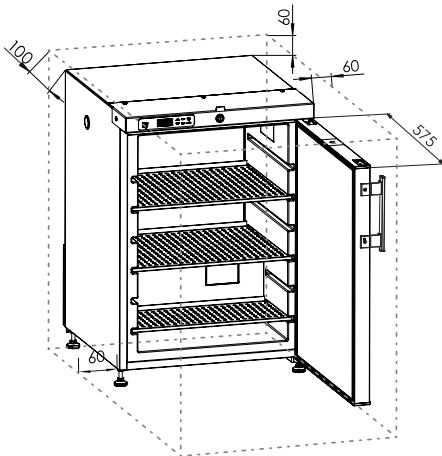
Note!

The battery for backup should be changed every third year to secure 48 hours of backup. Please put this change in the maintenance schedule for every third year.

Location and ventilation



ULTF-37



VTS 098

This unit must be installed according to the below condition:

If the unit is installed in a location against the below conditions, it's specified performance may not be achieved or malfunction and accident may occur.

1. A location not exposed to direct sunlight
2. A location where the unit is not exposed to rain
3. In a dry, well ventilated room
According to the described in Intended use
4. Away from sources of heat
5. In a location with minimal variations in temperature

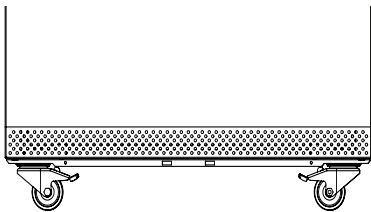
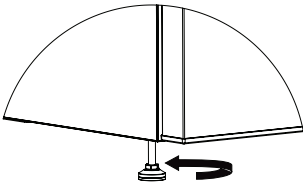
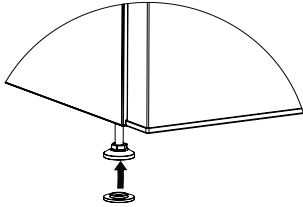
Secure ventilation, above, below and around the appliance. See illustrations.

(All dimensions are in millimeter (mm)).

Note!

There need to be space for the door to open in at least 90 degrees.

Levelling the appliance



Make sure the appliance is level. It can be levelled by rotating the adjustable feet of the appliance.

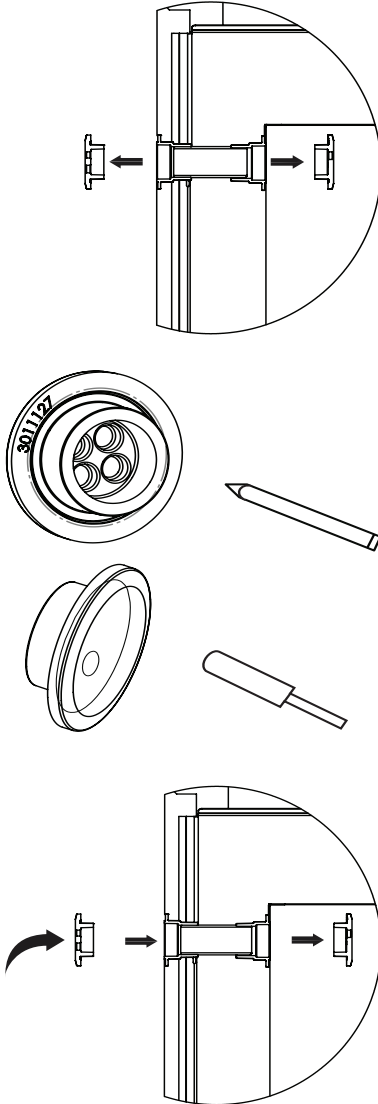
Be certain to lock the breaks for units equipped with casters.

1. Some models have “anti slip base” for the feet. Grab them from the plastic bag and mount them
2. Adjust the four feet until the unit is level.

Note!

Be certain to lock the breaks for units equipped with casters.

Porthole



Porthole is used to pass the temperature probe or nozzle of a back-up system in the chamber.

Steps:

1. See chapter "Freezer components" for placement of porthole on your device.
2. Take out the two rubber plugs.
3. Press a pencil through the marks on the inside of the rubber plugs.
4. Put your external sensor through the porthole, in the same direction as the arrow seen on the illustrations to the left or as described below.
5. Put the sensor through the outer rubber plug.
6. Then through the foam cylinder inside the porthole.
7. Then through the inner rubber plug.
8. Use the cable tie to mount your sensor.

Remote alarm function

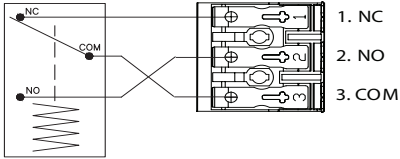


Fig. Internal XW737K controller with build-in alarm relay

Your device is equipped with a remote alarm connection to send alarm signals to a building management system, a monitoring unit, visual or acoustical warning device etc.

The alarm output is managed freely by the built in controller of the unit.

Alarm criteria may be too low temperature, too high temperature, power failure, open door or similar.

The alarm output is an electrical floating output (dry contact) which acts like a ON/OFF switch.

A SPDT (single pole, dual throw) relay with maximum switch rating of 250V 3A is maintained by the build-in XW737K controller unit.

The relay terminals are explained this way:

COM: COMMON terminal

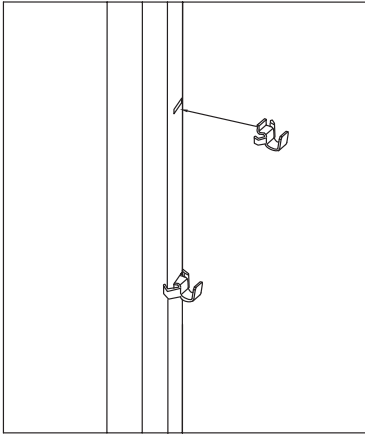
NO: NORMALLY OPEN terminal.
Connects to COM when the alarm is activated

NC: NORMALLY CLOSED terminal.
Disconnects from COM when the alarm is activated

An alarm interface cable of maximum 30 meters can be attached without the use of tools to the 3-pole alarm clamp connector.

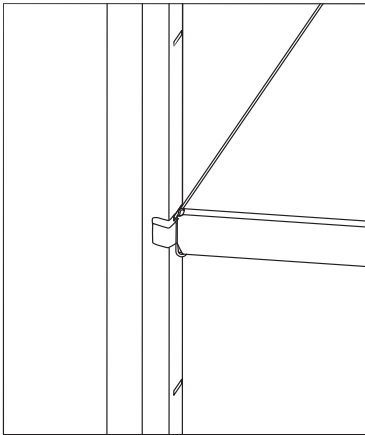
Wire thickness must be within 0.5mm² to 2.5mm² and fitted with core crimp terminals.

INTERIOR FITTING VTS098



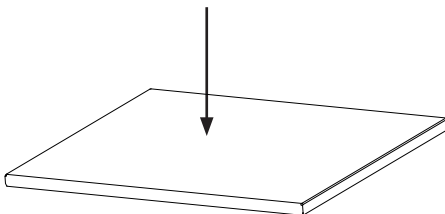
The shelves can be repositioned. To remove the shelves the door must be opened at least 90°.

1. Remove shelf brackets from shelf rails.



2. Replace shelf brackets in desired position.

Max. 15kg



CONTROLLER- OPERATION AND FUNCTION

How to see and change the set point:

How to: See the Set point

1. Push and immediately release the SET key: the display will show the Set point value.
2. Push and immediately release the SET key or wait for 60 sec to display the temperature in the unit.

How to: Change the Set point

1. Push the SET key more than 2 sec to change the Set point value.
2. The value of the set point will be displayed and the "°C" LED will start blinking.
3. To change the Set value push the UP or DOWN arrows within 60 sec.
4. To save the new set point value, push the SET key again or wait for 60 sec.

Clock settings and RTC alarm reset RESET

1. Push the UP key once, to access the menu.
2. The display shows H0, then push SET.
3. The parameters for setting time and date occurs. To set the parameter push SET, push the UP or DOWN button to change the parameter. Confirm by pushing SET.

The time and date parameters:

Hur: hour

Min: minutes

Udy: weekday

dAy: date

Mon: month

yEA: year

To exit: Press **SET + UP** keys for about 10 sec.

How to export data and alarms to USB

1. Insert the **USB** key
2. Push the **DATA** key for more than 3 sec.
3. Controller starts uploading data to **USB**
4. At the end the following message will be displayed:
 - a. **"End"** if everything it's ok
 - b. **"Err"** if exporting has not taken place.

Alarms

The controller memorizes the last 100 alarms happened, together with their start and finish time. It's possible to export the alarms as described in the previous chapter.

Active alarms

Controller will show active alarm alternated with the temperature inside the unit.

Active alarms

Message	Cause
"PF1"	Regulating probe TR3 failure
"HA1"	TR3 High Alarm
"LA1"	TR3 Low Alarm
"dA"	Door Open Alarm
"CA"	Serious Alarm

The alarm message is displayed until the alarm condition is recovered.

All the alarm messages are showed alternating with the temperature in the unit. Except for the "PF1" which is flashing.

MAINTENANCE

TASK	Description	Frequency			
		Quarterly	Annually	3 Years	As needed
The compressor compartment and the condenser must be kept free of dust and dirt.	<ol style="list-style-type: none"> 1. Unplug unit from power supply 2. Remove the lower panel. 3. Use a vacuum cleaner to remove dust and dirt. 	X			
The door gasket(s) around the door must be cleaned regularly.	<ol style="list-style-type: none"> 1. Wipe the seal with a soft cloth and clean water 2. Check that it continues to provide a tight seal. 				X
Clean vacuum release	<ol style="list-style-type: none"> 1. Excessive frost accumulation in the vacuum release could restrict air flow. 2. Brush away any loose frost using a stiff nylon brush. 3. If frost has built up in the pipe of the vacuum release, thrust with a stick to remove the frost inside. 				X
Defrost and clean the chamber to prevent ice building.	<p>Quick defrosting: Small amounts of loose frost can be removed using a plastic scraper.</p>				X
	<p>Complete defrost:</p> <ol style="list-style-type: none"> 1. Remove all products and place it in another ULT cabinet. 2. Disconnect the power supply. 3. Open the inner and outer doors. 4. Wait until the ice has thawed. 5. Dispose of the ice and wipe out water. 6. Dry the interior of the device. 7. Close the doors and start the freezer 				X
Replace the battery backup for the controller every 3 years.	Only a certified technician must replace the battery.			X	
Clean the interior and exterior of the device.	<ol style="list-style-type: none"> 1. Use warm water (max. 65°C) with a little mild, perfume-free detergent with a soft cloth. 2. Rinse with clean water and dry thoroughly. <p>Note: It is important to prevent water from entering the control panel.</p>				X

DISPOSAL

Information for Users on Collection and Disposal of Old Equipment and used Batteries



These symbols on the products, packaging, and/or accompanying documents mean that used electrical and electronic products and batteries should not be mixed with general household waste. For proper treatment, recovery and recycling of old products and used batteries, please take them to applicable collection points, in accordance with your national legislation and the Directives 2012/19/EU and 2006/66/EC.

By disposing of these products and batteries correctly, you will help to save valuable resources and prevent any potential negative effects on human health and the environment which could otherwise arise from inappropriate waste handling.

For more information about collection and recycling of old products and batteries, please contact your local municipality, your waste disposal service or the point of sale where you purchased the items.

Penalties may be applicable for incorrect disposal of this waste, in accordance with national legislation.



For business users in the European Union.

If you wish to discard electrical and electronic equipment, please contact your dealer or supplier for further information.

Information on Disposal in other Countries outside the European Union

These symbols are only valid in the European Union. If you wish to discard this product, please contact your local authorities or dealer and ask for the correct method of disposal.



Note for the battery symbol:

This symbol might be used in combination with a chemical symbol. In this case it complies with the requirement set by the Directive for the chemical involved.

NOTE:

It is very important to dismount the door before disposal. This to prevent any accident by children playing with the cabinet and door.

INHALT

- WARNUNG 4**

- PRODUKTBESCHREIBUNG 7**
 - Vor dem Gebrauch 7
 - Elektrische Verbindung 8
 - Verwendungszweck. 9
 - Klimaklasse 9

- GERÄTEKOMPONENTE 10**
 - Von vorne und Innen gesehen 10
 - Von hinten gesehen. 11
 - Fühlerplatzierung 12

- DISPLAYTEILE 13**

- INSTALLATION UND INBETRIEBNAHME 14**
 - Lüftungsschutz 14
 - Batterie-Backup 15
 - Aufstellen und Belüftung 16
 - Nivellieren des Gerätes 17
 - Durchgangsloch 18
 - Fernalarmfunktion 19

- INNENEINRICHTUNG BESTÜCKUNG 20**

- STEUEREINHEIT - BETRIEB UND FUNKTION 21**

- WARTUNG 22**

- ALLGEMEINE INFORMATION 23**
 - Reklamation, Ersatzteile und Service 23

- ENTSORGUNG 24**

WARNUNG

Da ein brennbares Gas als Kältemittel in diesem Gerät dient, ist es wichtig sicherzustellen, dass kein Teil des Kühlkreislaufs oder der Röhren beschädigt ist.

Die Menge und der Typ von Kältemittel im Gerät sind auf dem Typenschild angegeben.

Der Standard EN378 spezifiziert, dass der Raum, in dem das Gerät installiert wird, ein Volumen von 1 m³ pro 8 g Kohlenwasserstoff-Kältemittel, das im Gerät verwendet ist, haben soll. Dies ist zu beachten, um die Bildung von leichtentzündlichen Gasgemischen in dem Raum, wo das Gerät installiert ist, zu vermeiden, falls eine Undichtigkeit des Kühlkreislaufs entsteht.

WARNUNG:

Decken Sie die Lüftungsöffnungen im Gehäuse des Gerätes oder am Einbaumodul nicht ab.

WARNUNG:

Verwenden Sie keine anderen mechanischen Geräte oder Hilfsmittel um den Entfrostsprozess zu beschleunigen, als die Geräte, die vom Hersteller empfohlen sind.

WARNUNG:

Beschädigen Sie nicht den Kühlkreislauf.

WARNUNG:

Verwenden Sie keine elektrischen Geräte im Gerät, es sei denn, dass die Geräte vom Hersteller empfohlen sind.

WARNUNG:

Das Gerät vor Regen schützen, und bei der Fußbodenreinigung Spritzwasser vermeiden.

WARNUNG:

Dieses Gerät kann von Kindern ab 8 Jahren und Personen mit reduzierten physischen, sensorischen oder mentalen Fähigkeiten

oder Mangel an Erfahrung oder Wissen benutzt werden, wenn sie von einer Person, die für ihre Sicherheit verantwortlich ist, beaufsichtigt oder von ihr bezüglich des sicheren Gebrauchs des Gerätes unterwiesen wurden und sie die daraus resultierenden Gefahren verstanden haben.

WARNUNG:

Kinder dürfen nicht mit dem Gerät spielen.

WARNUNG:

Reinigung und Benutzer-Wartung dürfen nicht durch Kinder durchgeführt werden, es sei denn, sie werden beaufsichtigt.

WARNUNG:

Keine Produkte mit brennbaren Treibgasen (z. B. Spraydosen) und keine explosiven Stoffe lagern. Explosionsgefahr!

WARNUNG:

Gefahr von Feuer oder Explosion wenn brennbares Kältemittel ist verwendet. Darf nur von Fachpersonal repariert werden.

**WARNUNG:**

Achten Sie beim Aufstellen des Geräts darauf, dass das Netzkabel nicht eingeklemmt oder beschädigt ist.

WARNUNG:

Platzieren Sie keine Verteilersteckdosen, Verlängerungskabel oder andere Netzteile an der Rückseite des Gerätes.

WARNUNG:

An Gehäuse, Kompressorteil, Verdampfer, Lüfterverkleidung und an Innenteilen können scharfe Kanten vorhanden sein. Bitte Vorsicht walten lassen, um Verletzungen zu vermeiden.

WARNUNG:

Der Verflüssiger hinten am Gerät hat zeitweise eine heiße Oberfläche. Bitte Vorsicht walten lassen, um Verletzungen zu vermeiden.

WARNUNG:

Das Gerät muss mindestens 12 Stunden in Betrieb sein bevor Sie es für die Lagerung von Medizin nutzen.

- Der Schlüssel immer an einem separaten Ort und außer Reichweite von Kindern aufbewahren.
- Treten Sie nicht auf die untere Abdeckung, um die Medizin oben im Gerät zu erreichen.
- Vor Reparatur oder Reinigung des Gerätes den Netzstecker von der Steckdose ziehen.
- Wenn die Anschlussleitung beschädigt ist, muss sie nur vom Hersteller, dem Serviceagent des Herstellers oder einem anderen Fachmann ausgewechselt werden, um Gefahr zu vermeiden.
- Relevant für Australien: Anschlussleitung mit Stecker erfüllt AS/NZS 3112.
- Bildung von Reif auf der inneren Verdampferplatte und den obersten Teile ist normal. In Verbindung mit Reinigung oder Wartung muss das Gerät deshalb entfrosten werden.
- Beachten Sie bitte, dass Änderungen der Konstruktion dieses Gerätes zur Folge haben, dass die Garantie und Produkthaftung erlöschen.
- Dieses Gerät soll ausschließlich für medizinische Produkte verwendet werden
- Ist im Gerät Medizin ausgetreten, muss der Abtauwasserkanal sofort gereinigt werden, damit die Medizin nicht in die Umgebung verdampft.
- Bei Verlust der Bedienungsanleitung, beschaffen Sie sich von Ihrem Händler bitte Ersatz.
- Wartungsarbeiten sollten ausschließlich von Personen ausgeführt werden, die im Umgang mit medizinischen Geräten geschult sind.

Gefrierschrank für entzündliche Materialien

Funkenfreier Innenraum, um das Risiko einer internen Explosion zu verringern.

Innentemperaturbereich: +1°C bis 15°C

Der Innenraum besitzt folgende Sicherheitskennzeichnung:

CE  II 3G nA IIB T6

Hinweis:

- Feuergefährliche Materialien können im Schrank gelagert werden. Der Schrank ist jedoch nicht für explosionsgefährdete Bereiche zugelassen.
- Feuergefährliche Materialien sind in zugelassenen Behältern zu lagern.
- Gefahr der Funkenbildung durch elektrostatische Entladung. Verwenden Sie zum Reinigen von Kunststoffteilen kein trockenes Tuch. Kunststoffteile nur mit einem feuchten Tuch reinigen!



PRODUKTBESCHREIBUNG

Vor dem Gebrauch

Diese Bedienungsanleitung ist für folgende Produktmodelle vorgesehen:

Tabletop	Undercounter
ULTF-37	VTS 098

Es empfiehlt sich, diese Bedienungsanleitung vor dem ersten Gebrauch des Gerätes zu lesen. Vestfrost Solutions garantiert keinen sicheren Betrieb, wenn das Gerät für andere Zwecke als den vorgesehenen Verwendungszwecke verwendet wird. Der Inhalt der Bedienungsanleitung kann ohne vorherige Ankündigung geändert werden.

Dieses Manual sollte als integraler Bestandteil des Gerätes betrachtet und in der Nähe des Gerätes aufbewahrt werden und leicht zugänglich sein.

Aktuelle Versionen des Manuals finden Sie unter <https://www.vestfrostolutions.com/biomedical/>

Vor Inbetriebnahme Ihres neuen Gerätes, lesen Sie bitte die Bedienungsanleitung sorgfältig durch:

1. Stellen Sie sicher, dass das Gerät während des Transports nicht beschädigt wurde. Transportschäden sind dem Transporteur bei Lieferung zu melden.
2. Die Folie auf den Einlegeböden muss vor Inbetriebnahme bzw. Reinigung entfernt werden.
3. Reinigen Sie das Innere des Gerätes mit warmen Wasser und einem milden Reinigungsmittel. Mit klarem Wasser nachspülen und sorgfältig trocknen. Verwenden Sie ein weiches Tuch.
4. Das Gerät muss in aufrechter Position für mindestens 1 Stunde stabilisiert werden bevor es eingeschaltet wird.
5. Lassen Sie das Gerät vor dem Laden mindestens 12 Stunden bei der gewünschten Temperatur laufen.

Der A-bewertete Emissionsschalldruckpegel liegt unter 70 dB(A)

Elektrische Verbindung

Verkabelung und Anschlüsse in Stromversorgungssystemen müssen allen (örtlichen und nationalen) Elektrovorschriften entsprechen. Machen Sie sich vor dem Einbau mit den Angaben in diesen Vorschriften vertraut.

Dieses Gerät entspricht den einschlägigen EU-Richtlinien einschließlich:

Niederspannungsrichtlinie 2014/35/EU

Elektromagnetische Kompatibilitätsrichtlinie 2014/30/EU

Die Steckdose muss frei zugänglich sein.

Schliessen Sie das Gerät nur über eine korrekt installierte geerdete Steckdose an 220/240V / 50 Hz Wechselstrom an.

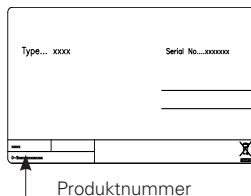
Die Steckdose muss mit einer 10-A oder 13-A Sicherung abgesichert sein.

Bei Geräten, die in nicht-europäischen Ländern betrieben werden, ist auf dem Typenschild zu überprüfen, ob die angegebene Spannung und Stromart mit den Werten Ihres Stromnetzes übereinstimmt.

Daten zur Spannung und Leistungsaufnahme / Strom sind auf dem Typenschild.

Ein eventuell notwendiger Austausch der Netzanschlussleitung darf nur durch einen Fachmann erfolgen.

Das Typenschild, das sich im Gerät befindet, enthält verschiedene technische Angaben sowie Typen- und Seriennummer.



Verwendungszweck

Vestfrost biomedizinische Gefriergeräte sind dafür ausgelegt, eine zuverlässige Temperaturstabilität und Präzision zu bieten, und zu gewährleisten, dass eine ideale Lagerung bei niedriger Temperatur für sensitive Waren erreicht wird. Die Geräte sind für die folgenden Betriebsbereiche ausgelegt:

Modelle	ULTF-37 / VTS098
Temperaturbereich	-60°C bis -86°C
Werkseinstellung	-82°C
Umgebungstemperatur	+16°C bis +32°C
Relative Luftfeuchtigkeit	MAX 70 %
Anzahl der Fühlern	1



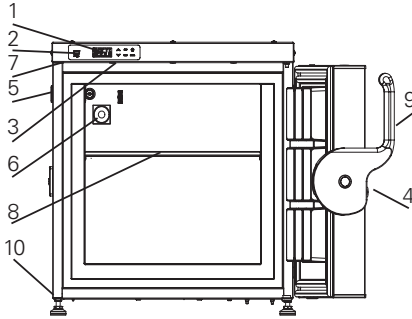
WARNUNG: Dieses Gerät ist kein "Schnellgefriergerät." Das Einfrieren großer Mengen von Flüssigkeit oder Waren mit hohem Wassergehalt erhöht vorübergehend die Innentemperatur und führt dazu, dass die Kompressoren über einen längeren Zeitraum arbeiten. Vermeiden Sie es, die Tür für längere Zeit zu öffnen, da die abgekühlte Luft schnell entweichen wird. Halten Sie außerdem die Innentüren so weit wie möglich geschlossen. Wenn Raumluft mit höherer Luftfeuchtigkeit die abgekühlte Luft ersetzt, kann sich in das Gerät schneller Frost bilden.

Klimaklasse

Klimaklasse	Max zimmer temperatur °C	Relative Luftfeuchtigkeit %
3	25	60
4	30	55
5	40	40
7	35	75

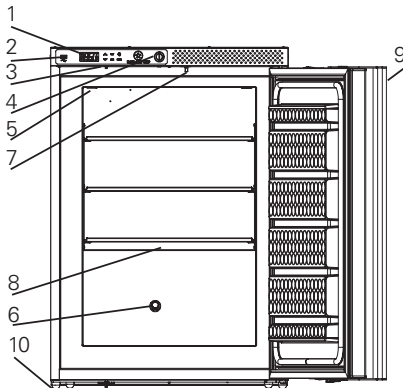
GERÄTEKOMPONENTE

Von vorne und Innen gesehen



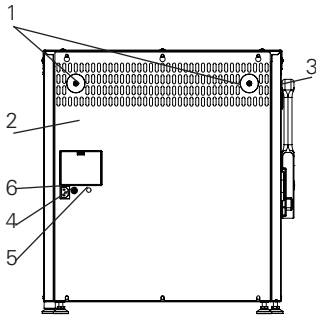
ULTF-37

1. Display – mit integriertes Keyboard
2. USB-Port – historische Daten exportieren. Siehe Kapitel 'Displayteile'.
3. Licht – nur wenn die Tür geöffnet ist.
4. Schloss – drücken und drehen. "Schlüssel ins Schlüsselloch stecken und Schlüssel um 180 Grad im Uhrzeigersinn drehen".
5. Durchgangsloch – Loch für externen Fühler oder CO2 Backup. Siehe Kapitel 'Installation und Inbetriebnahme'.
6. Vakuumauslöser – sichert dass sich die Tür leicht öffnen läßt. WICHTIG: stellen Sie sicher, dass er frei von Eis ist. Siehe Kapitel 'Wartung'.
7. Türkontakt – kann sowohl ein magnetischer als auch ein mechanischer Kontakt sein.
8. Einlegeboden. Siehe Kapitel 'Installation und Inbetriebnahme'.
9. Türgriff.
10. Füße / Verstellbare Füße – einige sind mit Anti-Rutsch. Siehe Kapitel 'Installation und Inbetriebnahme'.



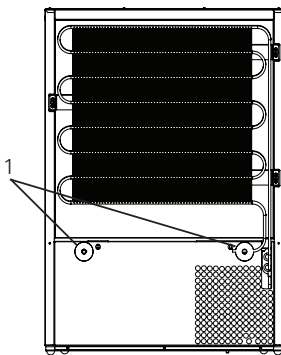
VTS 098

Von hinten gesehen



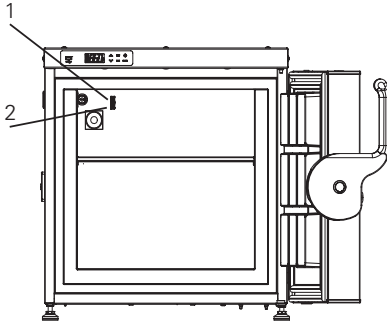
ULTF-37

1. Lüftungsschutz.
Siehe Kapitel 'Installation und Inbetriebnahme'.
2. Typenschild.
3. Durchgangsloch – Loch für externen Fühler oder CO² Backup.
Siehe Kapitel 'Installation und Inbetriebnahme'.
4. Spannungsfreier Kontakt.
Siehe Kapitel 'Fernalarmfunktion' für weitere Information.
5. Batterie-Backup-Knopf. Es dauert 10 Tage, bis die Batterie vollständig aufgeladen ist.
Siehe Kapitel 'Installation und Inbetriebnahme'.
6. Stromversorgung – IEC Stecker oder festverdrahtet.



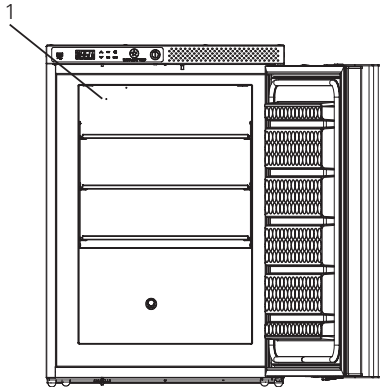
VTS 098

Fühlerplatzierung



ULTF-37

1. TR3 – Regelfühler.
2. Externer Fühler – den Fühler mit dem 3,5 mm Kabelbinder befestigen. Den Kabelbinder finden Sie in der Plastiktüte.








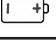

VTS 098

Displayteile






LED

Alle LED-Funktionen sind in der folgenden Tabelle beschrieben.

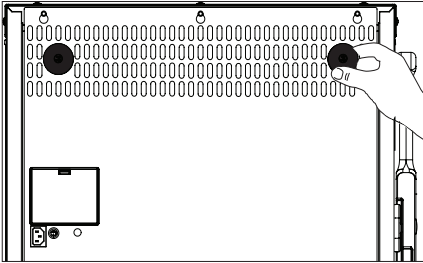
LED	MODE	Function
	EIN	Kompressor eingeschaltet.
	Blinkt	Anti-Kurzschluss-Verzögerung eingeschaltet.
	EIN	Alarm läuft ein.
	EIN	Aufzeichnung aktiv.
	EIN	Batterie voll geladen.
	Blinkt	Batterie wird geladen.
	Blinkt	Ladestörung oder Batteriefehler.
°C/°F	EIN	Messeinheit.
°C/°F	Blinkt	Programmierphase.

Tasten

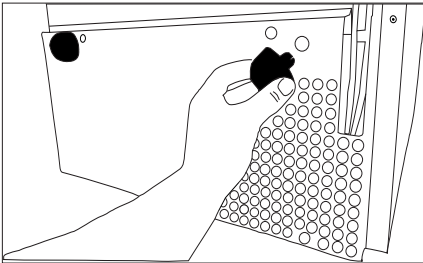
SET	Zur Anzeige des Zielsollwerts; im Programmierzustand wird ein Parameter gewählt oder eine Aktion bestätigt.
	Zum Schnellzugriffsmenü; Im Programmierzustand werden Parameterkodes durchblättert oder der angezeigte Wert erhöht.
	Im Programmierzustand werden Parameterkodes durchblättert oder der angezeigte Wert gesenkt.
DATA	Datenexport.
	Nicht relevant.
REC	Log ein- und ausschalten (passwortgeschützt).

INSTALLATION UND INBETRIEBNAHME

Lüftungsschutz



Tabletop



Undercounter VTS098

Montieren Sie die beiden Lüftungsschutzvorrichtungen bevor das Gerät an die endgültige Position gebracht wird.

Die Funktion dieser Schutzvorrichtungen ist eine absolutes Minimum an Belüftung zu gewährleisten, falls das Gerät zu nahe an der Wand geschoben wird.

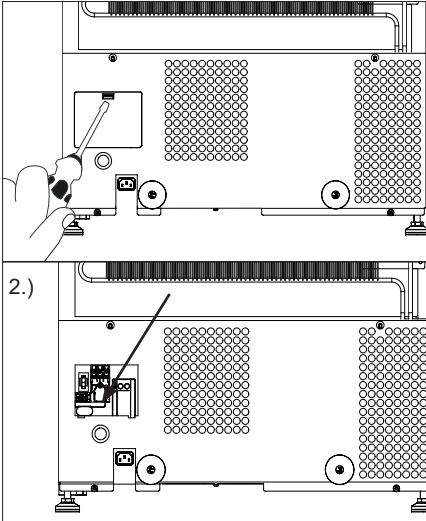
Verfahren:

1. Montieren Sie die Lüftungsschutzvorrichtungen in den Löchern auf der Rückseite des Gerätes.

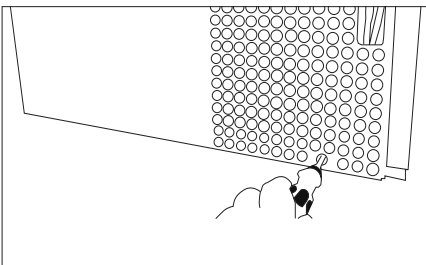
Hinweis!

(Einige Modelle sind mit vormontierten Lüftungsschutzvorrichtungen ausgestattet.)

Batterie-Backup



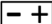
Tabletop



Undercounter VTS098

Das Gerät ist mit einem Batterie-Backup-System ausgestattet, das die Steuereinheit bei Stromausfall mit Strom versorgt. Die Dauer des Batterie-Backup-Systems beträgt 48 Stunden.

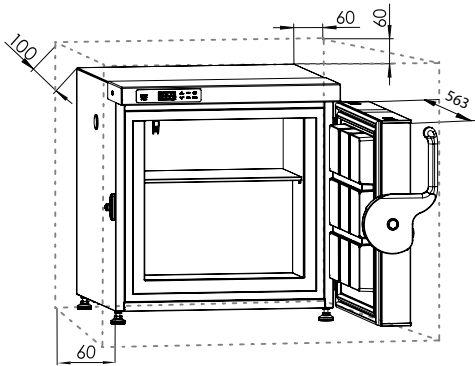
Verfahren:

1. Drücken Sie die orange Taste, um das Batterie-Backup-System einzuschalten.
2. Überprüfen Sie, dass die Display für die Batterie-Status-LED ist ein 

Hinweis!

Beim ersten Einschalten des Gerätes ist es erforderlich, dass die Batterie 10 Tage aufgeladen wird.

Aufstellen und Belüftung



ULTF-37

Dieses Gerät muss unter den folgenden Bedingungen installiert werden:

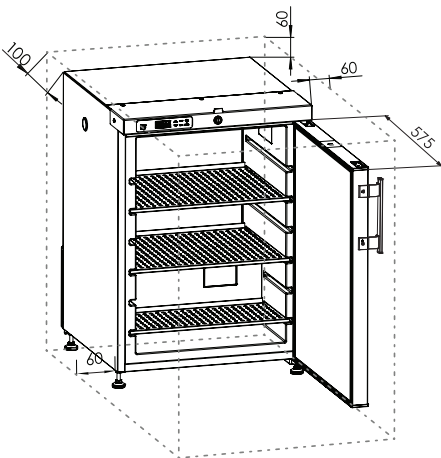
Falls das Gerät an einem Ort installiert wird, der den untenstehenden Bedingungen nicht entspricht, wird die angegebene Leistung möglicherweise nicht erreicht, oder es kann zu Fehlfunktionen und Unfällen kommen.

1. An einem Ort der keinem direkten Sonnenlicht ausgesetzt ist.
2. An einem Ort an dem das Gerät keinem Regen ausgesetzt ist.
3. In einem trockenen, gut belüfteten Raum gemäß der Angaben im Kapitel 'Verwendungszweck'.
4. Das Gerät von Wärmequellen fernhalten.
5. An einem Ort mit minimaler Temperaturschwankungen.

Sorgen Sie für Belüftung über, unter und um das Gerät. Siehe Abbildungen. (Alle Maße sind in Millimeter (mm) angegeben).

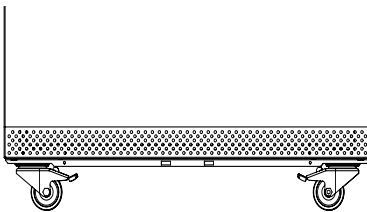
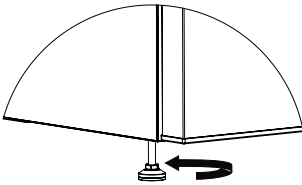
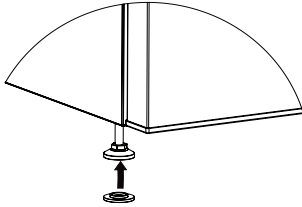
Hinweis!

Zum Öffnen der Tür um mindestens 90 Grad ist genügend Platz erforderlich.



VTS 098

Nivellieren des Gerätes



Überprüfen Sie, dass das Gerät waagrecht ist. Das Gerät kann durch Drehen der verstellbaren Füße waagrecht gestellt werden.

Achten Sie darauf, die Bremsen für Geräte mit Rollen zu verriegeln.

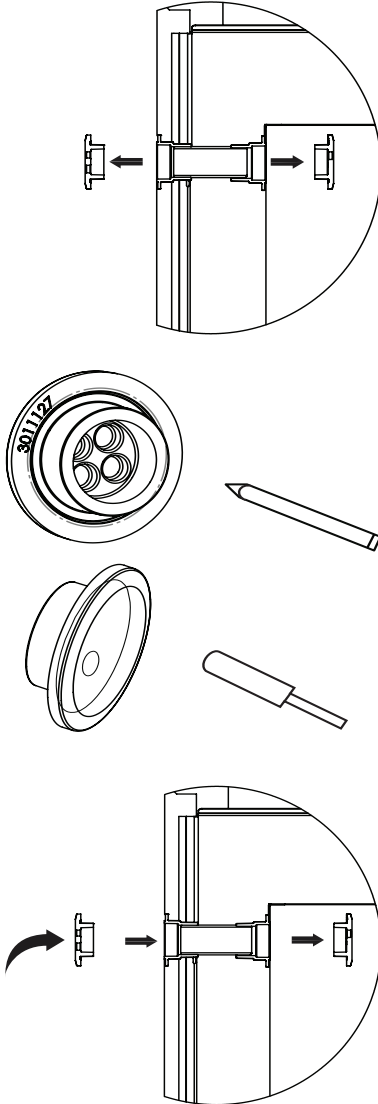
1. Einige Modelle: Nehmen Sie das 'Anti-Rutsch-Teil' aus der Plastiktüte und es am Fuß montieren.

2. Justieren Sie die vier Füße, bis das Gerät waagrecht steht..

Hinweis!

Achten Sie darauf, die Bremsen für Geräte mit Rollen zu verriegeln.

Durchgangsloch

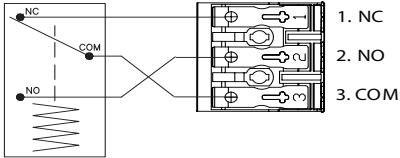


Durchgangslöcher werden dafür verwendet, um die Temperaturfühler oder die Düse des Backup-Systems in das Gerät zu führen.

Verfahren:

1. Siehe das Kapitel 'Gerätekomponente' für Informationen über die Platzierung des Durchgangslochs in Ihrem Gerät.
2. Die beiden Gummistopfen entfernen.
3. Einen Bleistift durch die Markierungen auf der Innenseite der Gummistopfen pressen.
4. Den externen Fühler durch das Durchgangsloch in derselben Richtung wie der Pfeil in den Abbildungen links oder wie unten beschrieben führen.
5. Den Fühler durch den äußeren Gummistopfen stecken.
6. Den Fühler dann durch den Schaumzylinder im Durchgangsloch stecken.
7. Den Fühler dann durch den inneren Gummistopfen stecken.
8. Den Fühler mit dem Kabelbinder befestigen.

Fernalarmfunktion



Innere XW737K Steuereinheit mit eingebautem Alarmrelais.

Ihr Gerät ist mit einer Fernalarmverbindung ausgestattet, um Alarmsignale an ein Gebäudesteuerungssystem, eine Überwachungseinheit, ein visuelles oder akustisches Warngerät usw. zu senden.

Das Alarmausgangssignal wird frei von der eingebauten Steuereinheit des Gerätes gesteuert.

Die Alarmkriterien können zu niedrige Temperatur, zu hohe Temperatur, Stromausfall, offene Tür oder ähnliches sein.

Der Alarmausgang ist ein elektrischer erdfreier Ausgang (Trockenkontakt), der wie ein EIN / AUS-Schalter wirkt.

Ein SPDT-Relais (einpölgiger Umschalter) mit einer maximalen Schaltleistung von 250 V 3A wird von der eingebauten XW737K Steuereinheit gewartet.

Die Relaisklemmen sind wie folgt erklärt:

COM (COMMON): Gewöhnliche Klemme

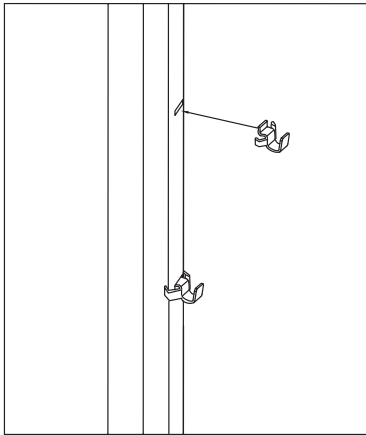
NO (NORMALLY OPEN): Normalerweise offene Klemme. Wird mit COM verbunden, wenn der Alarm aktiviert ist.

NC (NORMALLY CLOSED): Normalerweise geschlossene Klemme. Wird von COM getrennt, wenn der Alarm aktiviert ist.

Ein Alarm-Schnittstelle-Kabel von maximum 30 Metern kann ohne Gebrauch von Werkzeug am 3-poligen Alarmsteckverbinder verbunden werden.

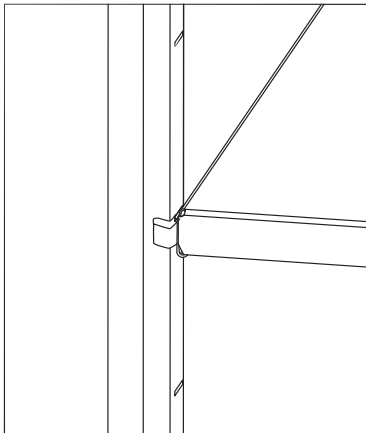
Die Drahtstärke muss zwischen 0,5 mm² und 2,5 mm² sein und mit Ader-Quetschverbinder ausgestattet sein.

INNENEINRICHTUNG BESTÜCKUNG



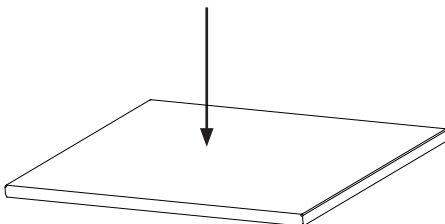
Die Einlegeböden können neu positioniert werden. Um die Einlegeböden zu entfernen muss die Tür mindestens 90° geöffnet werden.

1. Die Träger von den Schienen entfernen.



2. Die Träger in der gewünschten Position anbringen.

max. 15 kg



STEUEREINHEIT - BETRIEB UND FUNKTION

Anzeige und Änderung des Sollwertes

Wie: Sollwert anzeigen

1. SET-Taste drücken und sofort wieder loslassen: das Display zeigt den Sollwert an.
2. SET-Taste drücken und sofort wieder loslassen oder 60 Sek. warten, um die Innentemperatur anzuzeigen.

Wie: Sollwert ändern

1. Die SET-Taste länger als 2 Sek. drücken, um den Sollwert zu ändern.
2. Der Sollwert wird zusammen mit "°C" angezeigt. LED beginnt zu blinken.
3. Zum Ändern des Sollwertes die Pfeile UP oder DOWN innerhalb von 60 Sek. drücken
4. Um den neuen Sollwert zu speichern, SET-Taste erneut drücken oder 60 Sek. warten.

Uhrzeiteinstellung und RTC-Alarm rücksetzen

1. Die taste UP drücken, um ins Menü zu gelangen.
2. Wenn H0 in der Anzeige erscheint, SET drücken.
3. Die Parameter für Uhrzeit- und Datumseinstellung erscheinen. Zum Einstellen SET drücken, dann den Parameter mit UP oder DOWN ändern. Mit SET bestätigen.

Zeit- und Datumsparameter:

Hur: Stunde

Min: Minuten

Udy: Wochentag

dAy: Datum

Mon: Monat

yEA: Jahr

Zum Verlassen: Tasten **SET + UP** für ca. 10 Sek. drücken.

Daten- und Alarmexport via USB

1. Den **USB**-Stick einstecken.
2. Die **DATA**-Taste länger als 3 Sek. drücken.
3. Die Steuereinheit beginnt das Hochladen der Daten zum **USB**.
4. Zum Abschluss erscheint eine der folgenden Anzeigen:
 - a. **"End"** wenn alles in Ordnung ist.
 - b. **"Err"** wenn der Export nicht stattfand.

Alarme

Die Steuerung speichert die letzten 100 Alarme mit ihren Start- und Endzeitpunkten. Die Alarme können exportiert werden, wie im vorherigen Abschnitt beschrieben.

Aktiver Alarm

Die Steuereinheit zeigt den aktiven Alarm abwechselnd mit der Temperatur im Gerät an.

Alarmsignale

Meldung	Ursache
"PF1"	Fehler Fühler TR3
"HA1"	Temperatur zu hoch Fühler TR3
"LA1"	Temperatur zu niedrig Fühler TR3
"dA"	Tür offen Alarm
"CA"	Schwerer Alarm

Die Alarmmeldung wird angezeigt, bis der Alarmzustand behoben ist.

Alle Alarmmeldungen werden abwechselnd mit der Geräteinnentemperatur angezeigt - mit Ausnahme der blinkenden "PF1".

WARTUNG

AUFGABE	Beschreibung	Häufigkeit			
		Viertel-jährlich	Jährlich	Alle 3 Jahre	Nach Bedarf
Der Kompressorraum und der Kondensator frei von Staub und Schmutz halten.	<ol style="list-style-type: none"> 1. Netzstecker von der Stromversorgung ziehen. 2. Die untere Abdeckung entfernen. 3. Staub und Schmutz mit einem Staubsauger entfernen. 	X			
Die Türdichtung um die Tür regelmäßig reinigen.	<ol style="list-style-type: none"> 1. Die Dichtung mit einem weichen Tuch und sauberes Wasser abwischen. 2. Überprüfen ob die Dichtung weiterhin dicht ist. 				X
Den Vakuumauslöser reinigen.	<ol style="list-style-type: none"> 1. Übermäßige Reifbildung in dem Vakuumauslöser kann den Luftstrom einschränken. 2. Losen Reif mit einer steifen Nylonbürste entfernen. 3. Wenn sich im Rohr des Vakuumauslösers Reif gebildet hat, mit einem Stock stoßen um den Reif zu entfernen. 				X
Das Gerät abtauen und reinigen, um Eisbildung zu vermeiden.	Schnelles Abtauen: Kleine Mengen von losen Reif kann mit einem Kunststoffschaber entfernt werden.				X
	Komplettes Abtauen: <ol style="list-style-type: none"> 1. Alle Waren entfernen und sie in ein anderes ULT-Gerät anbringen. 2. Netzstecker von der Stromversorgung ziehen. 3. Die inneren und äußeren Türen öffnen. 4. Warten bis das Eis aufgetaut ist. 5. Das Eis entsorgen und das Wasser abwischen.. 6. Das Innere des Gerätes reinigen. 7. Die Türen schließen und das Gerät starten. 				X
Das Batteri-Backup für die Steuereinheit ersetzen.	Nur ein autorisierter Techniker muss die Batterie austauschen.			X	
Das Innere und Äußere des Gerätes reinigen.	<ol style="list-style-type: none"> 1. Warmes Wasser (max. 65°C) mit einem milden parfümfreien Reinigungsmittel und ein weiches Tuch verwenden. 2. Mit sauberem Wasser abspülen und gründlich trocknen. Hinweis: Es ist wichtig zu verhindern, dass Wasser ins Bedienpanel gelangt.				X

ALLGEMEINE INFORMATION

Reklamation, Ersatzteile und Service

Haftungsausschluss

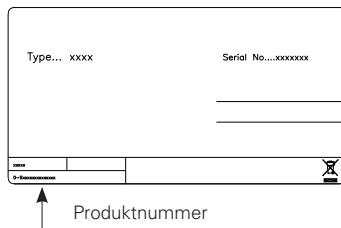
Der Lieferant haftet nicht für Fehler oder Schäden, die direkt oder indirekt durch Fehlbedienung, Missbrauch, mangelhafte Wartung, fehlerhaften Einbau, fehlerhafte Aufstellung oder fehlerhaften Anschluss sowie Feuer, Unfall, Blitzschlag, Spannungsänderungen oder andere elektrische Störungen – wie z.B. defekte Sicherungen oder Fehler in der Netzinstallation – sowie von anderen als den von dem Lieferanten vorgeschriebenen Reparaturbetrieben ausgeführten Reparaturen verursacht wurden, und allgemein nicht für Fehler und Schäden, die der Lieferant nachweislich auf andere Ursachen als Fabrikations- und Materialfehler zurückführen kann. Diese Fehler oder Schäden fallen nicht unter das Reklamationsrecht.

Transportschäden, die der Anwender feststellt, sind primär eine Sache zwischen ihm und dem Händler, d.h. der Händler hat den Anwender zufrieden zu stellen.

Bevor Sie den Kundendienst rufen, prüfen Sie bitte, ob Sie den Fehler selbst beheben können (siehe Fehlersuche). Ist Ihr Hilfeverlangen unberechtigt, beispielsweise weil das Versagen des Geräts auf eine defekte Sicherung oder Fehlbedienung zurück zu führen ist, gehen die Kosten für den Servicebesuch zu Ihren Lasten.

Ersatzteile

Bitte bei der Ersatzteilbestellung Typ- und Seriennummer sowie Produktnummer angeben. Diese Angaben finden Sie auf dem Typenschild.



ENTSORGUNG

Benutzerinformation zur Sammlung und Entsorgung von veralteten Geräten und benutzten Batterien.



Diese Symbole auf den Produkten, Verpackungen und/oder Begleitdokumenten bedeuten, dass benutzte elektrische und elektronische Produkte und Batterien nicht in den allgemeinen Hausmüll gegeben werden sollen. Bitte bringen Sie diese alten Produkte und Batterien zur Behandlung, Aufarbeitung bzw. zum Recycling gemäß Ihrer Landesgesetzgebung und den Richtlinien 2012/96/EU und 2006/66/EG zu Ihren zuständigen Sammelpunkten.

Indem Sie diese Produkte und Batterien ordnungsgemäß entsorgen, helfen Sie dabei, wertvolle Ressourcen zu schützen und eventuelle negative Auswirkungen auf die menschliche Gesundheit und die Umwelt zu vermeiden, die anderenfalls durch eine unsachgemäße Abfallbehandlung auftreten können.

Wenn Sie ausführlichere Informationen zur Sammlung und zum Recycling alter Produkte und Batterien wünschen, wenden Sie sich bitte an Ihre örtlichen Verwaltungsbehörden, Ihren Abfallentsorgungsdienstleister oder an die Verkaufseinrichtung, in der Sie die Gegenstände gekauft haben.

Gemäß Landesvorschriften können wegen nicht ordnungsgemäßer Entsorgung dieses Abfalls **Strafgelder** verhängt werden.



Für geschäftliche Nutzer in der Europäischen Union.

Wenn Sie elektrische oder elektronische Geräte entsorgen möchten, wenden Sie sich wegen genauerer Informationen bitte an Ihren Händler oder Lieferanten.

Informationen zur Entsorgung in Ländern außerhalb der Europäischen Union

Diese Symbole gelten nur innerhalb der Europäischen Union. Bitte treten Sie mit Ihrer Gemeindeverwaltung oder Ihrem Händler in Kontakt, wenn Sie dieses Produkt entsorgen möchten, und fragen Sie nach einer Entsorgungsmöglichkeit.



Hinweis zum Batteriesymbol:

Dieses Symbol kann in Kombination mit einem chemischen symbol verwendet werden. In diesem Fall erfüllt es die Anforderungen derjenigen Richtlinie, die für die betreffende Chemikalie erlassen wurde.

HINWEIS:

Es ist sehr wichtig, die Tür vor der Entsorgung abzubauen. Dies verhindert einen Unfall von Kindern, die mit dem Schrank und der Tür spielen.

SOMMAIRE

AVERTISSEMENT	4
DESCRIPTION DU PRODUIT	7
Avant utilisation	7
Connexion électrique	8
Utilisation prévue	9
Classe Climatique	9
COMPOSANTS D'APPAREIL	10
Vue de devant et interne	10
Vue arrière	11
Placement des sondes	12
ÉLÉMENTS DE L'ÉCRAN	13
INSTALLATION ET MISE EN MARCHÉ	14
Gardes de ventilation	14
Batterie de secours	15
Emplacement et ventilation	16
Mise à niveau de l'appareil	17
Trou de passage	18
Fonction d'alarme à distance	19
AJUSTEMENT INTÉRIEUR	20
CONTRÔLEUR - MISE EN SERVICE ET FONCTIONS	21
MAINTENANCE	22
INFORMATIONS GÉNÉRALES	23
Garantie, pièces de rechange et service après-vente	23
MISE AU REBUT	24

AVERTISSEMENT

Puisque l'appareil contient un réfrigérant Inflammable, il est essentiel de s'assurer que les conduits du fluide réfrigérant ne sont pas endommagés.

La quantité et le type de réfrigérant utilisée dans votre appareil est indiquée sur la plaque signalétique.

La norme EN378 précise que la pièce dans laquelle vous installez votre appareil doit posséder un volume de 1 m³ par 8 g de réfrigérant avec des hydrocarbures utilisés dans l'appareil afin d'éviter la formation de mélanges gaz/air inflammable dans la pièce où l'appareil est installé dans le cas où il y aurait une fuite dans le circuit réfrigérant.

AVERTISSEMENT:

Gardez les orifices de ventilation, situés sur la carrosserie de l'appareil ou autour de l'appareil, libres de toute obstruction.

AVERTISSEMENT:

Ne pas utiliser d'appareils mécaniques ou autres moyens pour accélérer la décongélation sauf ce qui est recommandé par le fabricant.

AVERTISSEMENT:

Ne pas endommager le système de réfrigération.

AVERTISSEMENT:

Ne pas utiliser d'appareils électriques à l'intérieur du compartiment de stockage sauf s'ils sont recommandés par le fabricant.

AVERTISSEMENT:

L'appareil ne doit pas être exposé directement à la pluie et ne doit pas être aspergé lorsque le plancher est lavé.

AVERTISSEMENT:

Cet appareil peut être utilisé par des enfants de 8 ans ou plus et par des personnes dotées de capacités physiques, sensorielles ou mentales réduites ou disposant de connaissances ou d'expérience insuffisantes, sous la surveillance d'un tiers responsable de leur

sécurité ou bien lorsqu'ils ont reçu des instructions liées à l'utilisation de l'appareil en toute sécurité et qu'ils ont intégré les risques qui en résultent.

AVERTISSEMENT:

Les enfants ne doivent pas jouer avec l'appareil.

AVERTISSEMENT:

Le nettoyage et l'entretien effectué par l'utilisateur ne doivent pas être accomplis par des enfants, sauf s'ils sont surveillés.

AVERTISSEMENT:

Ne pas entreposer des explosifs, tels que les aérosols avec propulseurs inflammables dans l'appareil.

AVERTISSEMENT:

Danger – risque d'incendie ou d'explosion si un réfrigérant inflammable est utilisé. L'appareil doit seulement être réparé par un personnel qualifié.

**AVERTISSEMENT:**

Lors du positionnement de l'appareil, assurez-vous que le câble d'alimentation n'est pas coincé ou endommagé.

AVERTISSEMENT:

Ne placez pas des rallonges ou d'alimentations en courant portables à l'arrière de l'appareil.

AVERTISSEMENT:

Les bords peuvent être coupants au niveau de l'encadrement de l'appareil, du compartiment du compresseur, de l'évaporateur, du couvercle de la ventilation et sur l'équipement interne. Merci de faire attention afin d'éviter toute blessure.

AVERTISSEMENT:

La surface du condensateur situé au dos de l'appareil peut être chaude. Merci de faire attention afin d'éviter toute blessure.

AVERTISSEMENT:

L'appareil doit être connecté au moins 12 heures avant de l'utiliser pour le stockage de la médecine.

- Conservez les clés dans un endroit hors de portée des enfants.
- Ne marchez pas sur le panneau inférieur pour atteindre les médicaments dans le haut de l'appareil.
- Avant de faire l'entretien ou le nettoyage de l'appareil, débranchez-le de son alimentation.
- Si le câble d'alimentation est endommagé, il doit être remplacé par le fabricant, des représentants ou des professionnels agréés afin d'éviter les dangers.
- Pertinent pour l'Australie : le câble d'alimentation équipé d'une fiche est conforme à AS/NZS 3112.
- La formation de givre sur les parois intérieures de l'évaporateur et les parties supérieures est un phénomène naturel et normal. Par conséquent, l'appareil doit être dégivré pendant le nettoyage ou l'entretien normal.
- Prenez note que toute modification de l'appareil annulera toutes les garanties et la responsabilité du fabricant.
- Cet appareil est destiné uniquement à être utilisé pour des produits médicaux.
- Si du médicament est renversé dans l'appareil, le canal d'eau de dégivrage doit être nettoyé immédiatement pour éviter que le médicament ne s'évapore dans l'environnement
- Si vous perdez la notice d'utilisation, merci de contacter votre fournisseur afin d'obtenir une nouvelle notice d'utilisation.
- Si un entretien est nécessaire sur cet appareil, veuillez utiliser que des personnes formées à la manipulation des appareils médicaux.

Congélateur de stockage de matériaux inflammables

Intérieur sans étincelles pour réduire le risque d'explosion interne.

Plage de température interne : +1°C à 15°C

L'intérieur comporte ce marquage de sécurité :

CE  II 3G nA IIB T6

**REMARQUE :**

- Des matériaux combustibles peuvent être stockés à l'intérieur de l'appareil, mais l'appareil n'est pas approuvé pour des zones potentiellement explosives.
- Des matériaux combustibles doivent être stockés dans des conteneurs approuvés.
- Risque d'étincelles dues aux décharges électrostatiques. N'utilisez pas de chiffon sec pour nettoyer les pièces en plastique. Nettoyez les pièces en plastique uniquement avec un chiffon humide !

DESCRIPTION DU PRODUIT

Avant utilisation

Cette notice d'utilisation est destinée aux modèles de produits suivants:

Tabletop	Undercounter
ULTF-37	VTS 098

Nous vous recommandons de lire cette notice d'utilisation avant d'utiliser l'appareil pour la première fois. Vestfrost Solutions ne garantit pas un fonctionnement sûr si l'appareil est utilisé pour autres choses que son utilisation destinée. Le contenu de la notice d'utilisation peut être modifié sans préavis.

Cette notice d'utilisation doit être considérée comme faisant partie intégrante de l'appareil et doit être conservée à proximité de l'appareil et être facilement accessible.

Des versions actuelles de la notice sont disponibles sur <https://www.vestfrostsolutions.com/bio-medical/>.

Avant d'utiliser votre nouvel appareil, veuillez lire attentivement les instructions suivantes:

1. Vérifiez que l'appareil n'a pas été endommagé pendant le transport. Les dommages de transport doivent être notifiés au transporteur lors de la livraison.
2. Le film sur les étagères doit être retiré avant de nettoyer et d'utiliser l'appareil.
3. Nettoyez l'intérieur de l'appareil à l'eau tiède avec un détergent doux. Utilisez un chiffon doux et rincez à l'eau claire et séchez soigneusement.
4. Laissez l'appareil en position verticale pendant au moins une heure avant de le mettre en marche.
5. Laissez l'appareil fonctionner à la température souhaitée pendant au moins 12 heures avant de le charger.

Le niveau de pression acoustique d'émission pondéré A est inférieur à 70 dB(A)

Connexion électrique

Le câblage et les raccordements électriques des systèmes d'alimentation électrique doivent respecter les normes électriques (locales et nationales) en vigueur. Consultez ces normes avant toute installation de l'appareil.

Cet appareil est conforme aux directives de l'U.E. le concernant, y compris la Directive 2014/35/EU sur la Basse Tension et la Directive 2014/30/EU sur la Compatibilité Electromagnétique.

La prise de courant doit rester facilement accessible. Brancher la fiche mâle de l'appareil dans une prise secteur en 220/240 V / 50Hz réglementairement reliée à la terre.

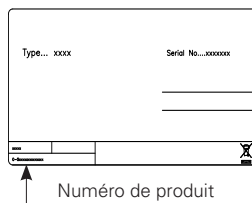
La prise doit être protégée par un fusible/disjoncteur supportant de 10 A ou 13 A.

Sur les appareils destinés aux pays non européens, vérifiez si la tension de branchement et le type de courant spécifiés sur la plaque signalétique concordent bien avec ceux offerts par le secteur du pays concerné.

Les données relatives à la tension et la puissance absorbée / courant sont indiquées sur la plaque signalétique.

Si un changement de cordon d'alimentation électrique s'impose, cette opération est réservée à un spécialiste.

La plaque signalétique fournit diverses informations techniques ainsi que les numéros de type et de série.



Utilisation prévue

Les congélateurs biomédicaux Vestfrost sont conçus pour fournir une stabilité et une précision de température fiables et pour assurer un stockage idéal à basse température pour les produits sensibles. Les appareils sont conçus pour les plages de fonctionnement suivantes:

Modèles	ULTF-37 / VTS098
Plage de température	-60°C à -86°C
Réglage d'usine	-82°C
Température ambiante	+16°C à +32°C
Humidité relative	MAX 70 %
Nombre de sondes	1



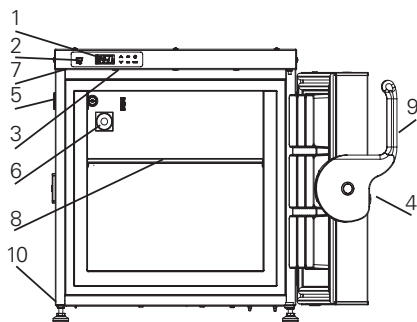
AVERTISSEMENT: Cet appareil n'est pas un appareil à "congélation rapide". La congélation de grandes quantités de liquide ou d'articles à forte teneur en eau augmentera temporairement la température interne et fera fonctionner les compresseurs pendant une période prolongée. Évitez d'ouvrir la porte pendant des périodes prolongées car l'air réfrigéré s'échappera rapidement. Gardez également les portes intérieures fermées autant que possible. Si l'air ambiant avec une humidité plus élevée remplace l'air refroidi, le givre peut se former plus rapidement dans l'appareil.

Classe climatique

Classe climatique	Température ambiante max °C	Humidité relative %
3	25	60
4	30	55
5	40	40
7	35	75

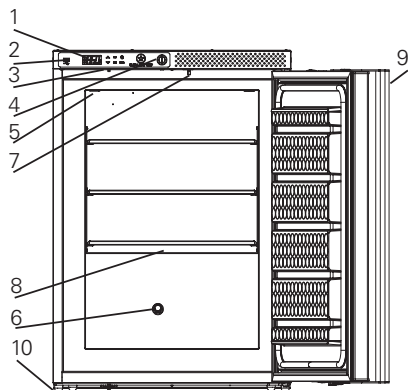
COMPOSANTS D'APPAREIL

Vue de devant et interne



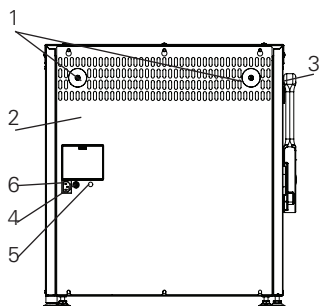
ULTF-37

1. Écran – avec clavier intégré.
2. Port USB – export des données historique. Voir le chapitre 'Éléments de l'écran'.
3. Éclairage – uniquement lorsque la porte est ouverte.
4. Serrure – appuyez et tournez. "Insérez la clé dans le trou de serrure, appuyez-la et tournez-la de 180 degrés sens d'horloge".
5. Trou de passage – trou pour sonde externe ou sauvegarde CO². Voir le chapitre "Installation et mise en marche".
6. Déclencheur de vide – assure que la porte s'ouvre facilement. IMPORTANT: assurez-vous qu'il est exempt de glace. Voir le chapitre "Maintenance".
7. Contact de porte – peut être un contact magnétique ou mécanique.
8. Étagère. Voir le chapitre "Installation et mise en marche".
9. Poignée.
10. Pieds / Pieds réglables – certains sont antidérapants. Voir le chapitre "Installation et mise en marche".



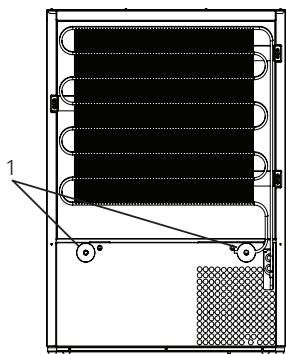
VTS 098

Vue arrière



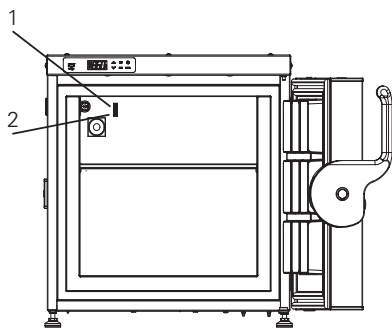
ULTF-37

1. Gardes de ventilation.
Voir le chapitre "Installation et mise en marche".
2. Plaque signalétique.
3. Trou de passage – trou pour sonde externe ou sauvegarde CO².
Voir le chapitre "Installation et mise en marche".
4. Contact sans tension.
Voir le chapitre "Fonction d'alarme à distance" pour plus d'informations.
5. Bouton de batterie de secours – il faudra 10 jours pour que la batterie soit complètement chargée. Voir le chapitre "Installation et mise en marche".
6. Alimentation en courant – fiche IEC ou cablée.



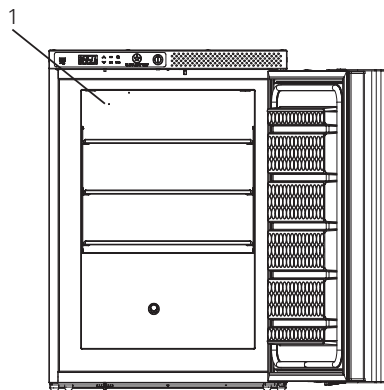
VTS 098

Placement des sondes



ULTF-37

1. TR3 – Sonde de régulation.
2. Sonde externe – utilisez un attache-câble de 3.5 mm pour monter la sonde externe. L'attache-câble se trouve dans le sac en plastique.



VTS 098

ÉLÉMENTS DE L'ÉCRAN



DEL

Chaque fonction de DEL est décrite dans le tableau suivant.

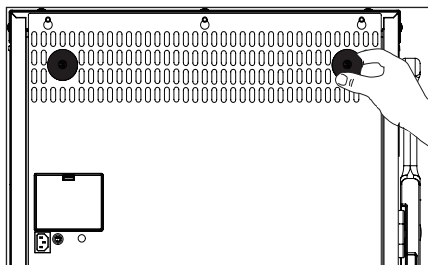
LED	MODE	Fonction
	ALLUMÉE	Compresseur activé.
	Clignotement	Temporisation de l'anti court-cycle activé.
	ALLUMÉE	Il y a une alarme.
	ALLUMÉE	Enregistrement activé.
	ALLUMÉE	La batterie est à pleine charge.
	Clignotement	La batterie se recharge.
	Clignotement	Problème de recharge ou faute de batterie.
°C/°F	ALLUMÉE	Unité de mesure.
°C/°F	Clignotement	Étape du programme.

Boutons

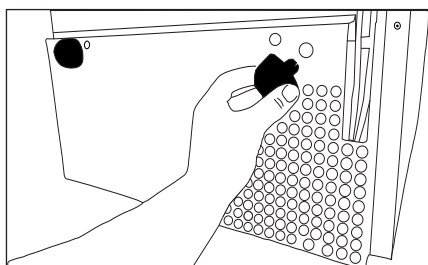
SET	Pour afficher un point de réglage cible; en mode programmation, cela choisit un paramètre ou confirme une opération.
	Pour accéder au menu d'accès rapide. En mode programmation, cela parcourt les codes de paramètre ou augmente la valeur affichée.
	En mode programmation, cela parcourt les codes de paramètre ou diminue la valeur affichée.
DATA	Exportation des données.
	Non pertinent.
REC	Activation et désactivation du journal par le bouton (protégé par mot de passe).

INSTALLATION ET MISE EN MARCHÉ

Gardes de ventilation



Tabletop



Undercounter VTS098

Montez les deux gardes de ventilation avant de déplacer l'appareil à sa place finale. La fonction des gardes est d'assurer un minimum absolu de ventilation, si l'appareil est poussé trop près contre un mur.

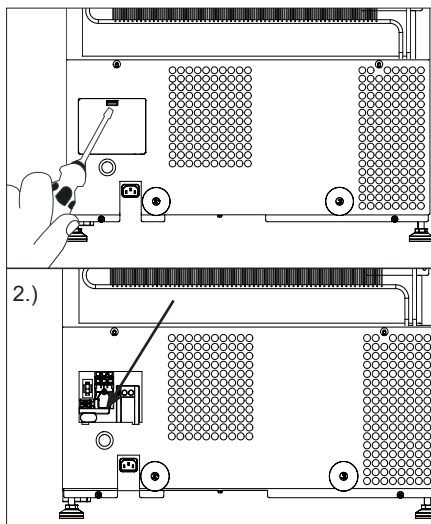
Procédé:

1. Montez les gardes de ventilation dans les trous à l'arrière de l'appareil.

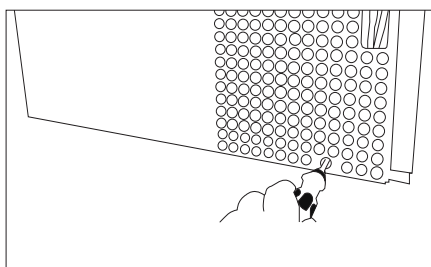
Remarque!

(Certains modèles sont équipés des gardes de ventilation prémontées.)

Batterie de secours



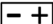
Tabletop, Undercounter & Upright



Undercounter VTS098

Cet appareil est équipé d'un système de batterie de secours, qui alimente le contrôleur en cas de panne de courant. La durée du système de batterie de secours est de 48 heures.

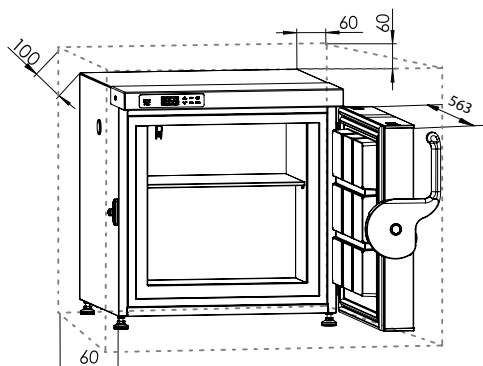
Procédé:

1. Appuyez sur le bouton orange pour activer le système de batterie de secours.
2. Vérifiez que la lumière LED affichante l'état de la batterie est allumée. 

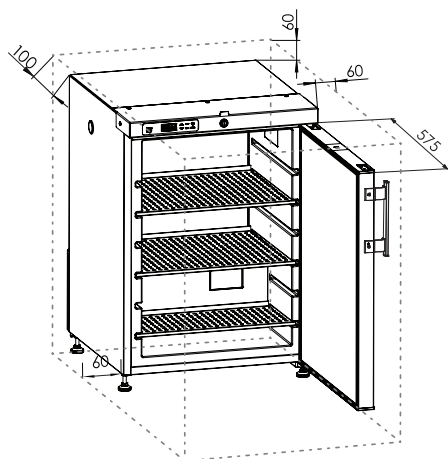
Remarque!

Lors du premier démarrage de l'appareil il est nécessaire de charger la batterie pendant 10 jours.

Emplacement et ventilation



ULTF-37



VTS 098

Cet appareil doit être installé selon les conditions suivantes:

Si l'appareil est installé dans un endroit qui ne remplit pas les conditions ci-dessous, les performances spécifiées ne peuvent pas être atteintes ou un dysfonctionnement et des accidents peuvent se produire.

1. Dans un endroit qui n'est pas exposé à la lumière directe du soleil.
2. Dans un endroit où l'appareil n'est pas exposé à la pluie.
3. Dans une pièce sèche et bien ventilée selon les informations dans le chapitre "Utilisation prévue".
4. Tenez l'appareil éloigné des sources de chaleur.
5. Dans un endroit avec des fluctuations minimales de température.

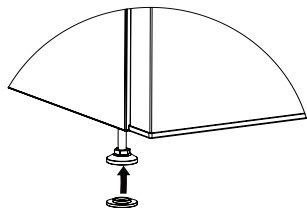
Assurez de ventilation au-dessus, en dessous et autour de l'appareil. Voyez les illustrations.

(Toutes les dimensions sont en millimètres (mm)).

Remarque!

Il doit y avoir un espace pour que la porte s'ouvre d'au moins 90 degrés.

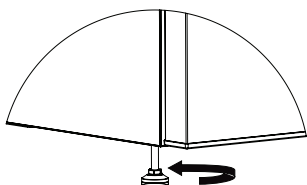
Mise à niveau de l'appareil



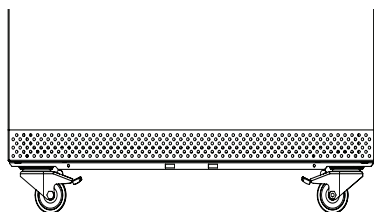
Vérifiez que l'appareil est de niveau. Il peut être mis en niveau en tournant les pieds réglables de l'appareil.

Assurez-vous de verrouiller les freins sur les appareils à roulettes.

1. Certains modèles: Sortez la "base antidérapante" du sac en plastique et montez-la sur le pied.



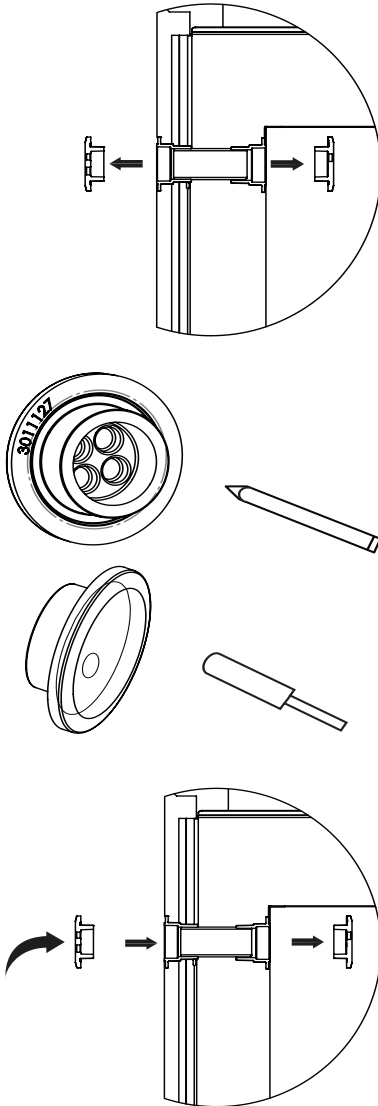
2. Réglez les quatre pieds jusqu'à ce que l'appareil soit de niveau.



Remarque!

Assurez-vous de verrouiller les freins sur les appareils à roulettes.

Trou de passage

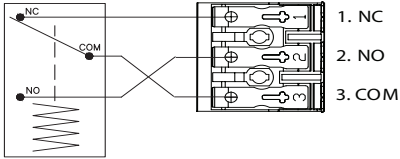


Les trous de passage sont utilisés pour faire passer la sonde de température ou la buse du système de secours dans l'appareil.

Procédé:

1. Voir le chapitre "Composants d'appareil" pour plus d'informations sur le placement du trou de passage dans votre appareil.
2. Appuyez un crayon à travers les marques à l'intérieur des bouchons en caoutchouc.
3. Faites passer la sonde externe à travers le trou de passage dans le même sens que la flèche visible sur les illustrations à gauche ou comme décrit ci-dessous.
4. Faites passer la sonde à travers le bouchon extérieure en caoutchouc.
5. Insérez ensuite la sonde dans le cylindre en mousse à l'intérieur du trou de passage.
6. Insérez ensuite la sonde à travers le bouchon intérieure en caoutchouc.
7. Fixez la sonde à l'aide de l'attache de câble.

Fonction d'alarme à distance



Côntrolleur interne XW737K avec relais d'alarme intégré

Votre appareil est équipé d'une connexion d'alarme à distance pour envoyer des signaux d'alarme à un système de gestion de bâtiment, à une unité de surveillance, à un dispositif d'avertissement visuel ou acoustique, etc.

La sortie d'alarme est gérée librement par le contrôleur intégré de l'appareil.

Les critères d'alarme peuvent être une température trop basse, une température trop élevée, une panne de courant, une porte ouverte ou similaire.

La sortie d'alarme est une sortie électrique flottante (contact sec), qui agit comme un interrupteur ON/OFF.

Un relais SPDT (unipolaire, à double course) avec une valeur de commutation maximale de 250V 3A est maintenu par le contrôleur XW737K intégré.

Les bornes de relais sont expliquées comme suit:

COM (COMMON): Borne commune

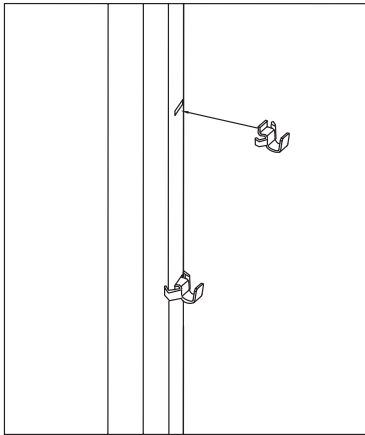
NO (NORMALLY OPEN): Borne normalement ouverte. Se connecte à COM lorsque l'alarme est activée.

NC (NORMALLY CLOSED): Borne normalement fermée. Se déconnecte de COM lorsque l'alarme est activée.

Un câble d'interface d'alarme de 30 mètres maximum peut être fixé sans utiliser d'outils à la borne d'alarme à 3 pôles.

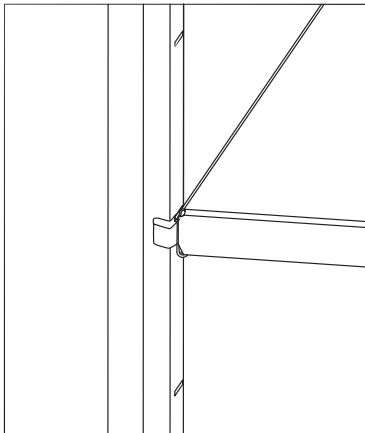
L'épaisseur du fil doit être entre 0,5 mm² et 2,5 mm² et être équipée de bornes à sertir.

Ajustement intérieur



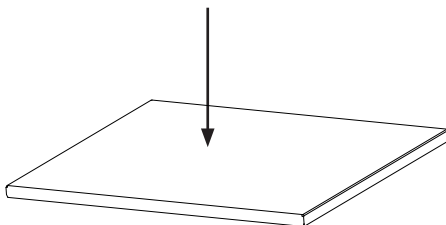
Les étagères peuvent être déplacées. Pour les déplacer, la porte doit être ouverte au moins 90°.

1. Retirez le support d'étagère de la glissière d'étagère.



2. Fixez le support de nouveau à la hauteur désirée.

max. 15kg



STEUEREINHEIT - BETRIEB UND FUNKTION

Comment voir et modifier un point de réglage:

Comment : Voir le point de réglage

1. Appuyez et relâchez rapidement le bouton SET: L'écran affichera la valeur du point de consigne.
2. Appuyez et relâchez rapidement le bouton SET ou attendez pendant 60 sec pour afficher la température dans l'appareil.

Comment : Changer le point de réglage:

1. Appuyez sur le bouton SET pendant plus de 2 sec pour changer la valeur du point de réglage.
2. La valeur du point de réglage sera affichée ainsi que "°C". La DEL commencera à clignoter.
3. Pour changer la valeur du réglage, appuyez sur les flèches UP ou DOWN en dedans de 60 sec.
4. Pour sauvegarder la nouvelle valeur du point de réglage, appuyez sur le bouton SET à nouveau et attendez 3 sec.

Réglages de l'horloge et réarmement de l'alarme RTC

1. Appuyez sur le bouton UP une fois pour accéder au menu.
2. Écran affiche H0, puis appuyez sur SET.
3. Les paramètres de réglage de l'heure et de la date apparaissent. Pour régler un paramètre, appuyez sur SET et appuyez sur les boutons UP ou DOWN pour modifier le paramètre. Confirmez en appuyant sur SET.

Les paramètres pour l'heure et la date :

Hur: heures

Min: minutes

Udy: jour semaine

dAy: date

Mon: mois

yEA: année

Pour quitter: Appuyez sur **SET + UP** pendant environ 10 sec.

Comment exporter des données et des alarmes vers une clé USB

1. Insérez la clé **USB**.
2. Appuyez sur le bouton **DATA** pendant plus de 3 sec.
3. Le contrôleur commence à télécharger les données vers la clé **USB**.
4. À la fin, le message suivant sera affiché :
 - a. "**End**" si tout est correct.
 - b. "**Err**" si l'exportation ne s'est pas faite.

Alarmes

Le contrôleur mémorise les dernière 100 alarmes qui sont apparues avec leur heure de début et de fin. Il est possible d'exporter les alarmes comme cela est décrit dans le chapitre précédent.

Alarmes actives

Le contrôleur affichera l'alarme active en alternance avec la température à l'intérieur de l'appareil.

Alarmes affichées

Affichage	Cause
"PF1"	Faute de la sonde de régulation TR3
"HA1"	Alarme haut TR3
"LA1"	Alarme bas TR3
"dA"	Alarme porte ouverte
"CA"	Alarme sérieuse

Le message d'alarme sera affiché tant que la condition d'alarme n'est pas corrigée.

Tous les messages d'alarme sont affichés en alternance avec la température de l'appareil. À l'exception du "PF1" qui clignote.

MAINTENANCE

TÂCHE	Description	Fréquence			
		Trimestriel	Annuel	Tous les 3 ans	Au besoin
Le compartiment du compresseur et le condenseur doivent être exempts de poussière et de saleté.	<ol style="list-style-type: none"> Débranchez l'appareil de l'alimentation électrique. Retirez le panneau inférieure. Utilisez un aspirateur pour enlever la poussière et la saleté. 	X			
Le joint d'étanchéité de la porte doit être régulièrement nettoyé.	<ol style="list-style-type: none"> Essuyez le joint avec un chiffon doux et de l'eau claire. Vérifiez qu'il continue de fournir un joint étanche. 				X
Nettoyez le déclencheur de vide.	<ol style="list-style-type: none"> Un givrage excessif dans le déclencheur de vide peut restreindre le débit d'air. Enlevez tout givre lâche à l'aide d'une brosse en nylon rigide. Si du givre s'est accumulé dans le tuyau du déclencheur de vide, poussez à l'aide d'un bâton pour enlever le givre au dedans. 				X
Dégivrez et nettoyez l'appareil pour éviter la formation de glace.	<p>Dégivrage rapide: De petites quantités de givre lâche peuvent être enlevées à l'aide d'un grattoir en plastique.</p>				X
	<p>Dégivrage complet: <ol style="list-style-type: none"> Retirez tous les produits et placez-les dans un autre appareil ULT. Débranchez l'alimentation. Ouvrez les portes intérieure et extérieure. Attendez que la glace ait dégelé. Jetez la glace et essuyez l'eau. Essuyez l'intérieur de l'appareil. Fermez les portes et démarrez l'appareil. </p>				X
Remplacez la batterie de secours du contrôleur.	Seul un technicien certifié doit remplacer la batterie.			X	
Nettoyez l'intérieur et l'extérieur de l'appareil.	<ol style="list-style-type: none"> Utilisez de l'eau chaude (max. 65 °C) avec un détergent doux sans parfum et un chiffon doux. Rincez à l'eau claire et séchez soigneusement. <p>Remarque: Il est important d'empêcher l'eau de pénétrer dans le panneau de commande.</p>				X

INFORMATIONS GÉNÉRALES

Garantie, pièces de rechange et service après-vente

Exonération de garantie

Les pannes ou les dommages dûs directement ou indirectement à une utilisation incorrecte ou fautive, un entretien insuffisant, un encastrement, une mise en place ou un raccordement incorrect, un incendie, un accident, un impact de foudre, des variations de tension et tout autre dysfonctionnement électrique dû par exemple à des fusibles ou disjoncteurs défectueux, ou à des défauts du réseau d'alimentation électrique ne sont pas couverts par la garantie.

Dans le cas de réparations effectuées par des personnes autres que les réparateurs agréés par le distributeur du produit, et en termes généraux l'ensemble des pannes et dommages dont le fournisseur peut prouver qu'ils sont dûs à d'autres causes que des erreurs ou défauts de fabrication et de matériaux et qui, par conséquent, ne sont pas couverts par la garantie.

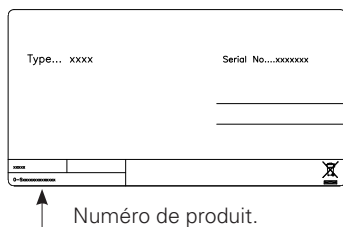
Veuillez noter que lorsqu'une intervention dans la construction ou d'une modification des composants de l'appareil a été faite, la garantie et la responsabilité du fournisseur cesse, et l'appareil ne peut pas être utilisé légitimement. L'autorisation figurant sur la plaque signalétique ne sera plus valable.

Les dommages dûs au transport et constatés chez le client sont à régler entre le client et le revendeur, ce qui signifie que ce-dernier doit s'assurer de la satisfaction du client.

Avant de faire appel au service après-vente, toujours contrôler les points énumérés dans la liste de recherche des pannes (voir ce point). Dans le cas où la cause de l'intervention demandée ressort de la responsabilité de la personne ayant fait appel au service après-vente, par exemple si la panne de l'appareil est due à un fusible grillé ou à une mauvaise utilisation, c'est cette personne qui devra régler les frais entraînés par cette intervention.

Pièces de rechange

Lors de la commande de pièces de rechange, indiquez le type, le numéro de série et le numéro de produit de l'appareil. Ces renseignements se trouvent sur la plaque signalétique au dos de l'appareil. La plaque signalétique renferme plusieurs informations techniques, dont les numéros de type et de série.



Mise au rebut

Avis aux utilisateurs concernant la collecte et l'élimination des piles et des appareils électriques et électroniques usagés.



Apposé sur le produit lui-même, sur son emballage, ou figurant dans la documentation qui l'accompagne, ce pictogramme indique que les piles et appareils électriques et électroniques usagés doivent être séparés des ordures ménagères. Afin de permettre le traitement, la valorisation et le recyclage adéquats des piles et des appareils usagés, veuillez les porter à l'un des points de collecte prévus, conformément à la législation nationale en vigueur ainsi qu'aux directives 2012/96/UE et 2006/66/CE.

En éliminant piles et appareils usagés conformément à la réglementation en vigueur, vous contribuez à prévenir le gaspillage de ressources précieuses ainsi qu'à protéger la santé humaine et l'environnement contre les effets potentiellement nocifs d'une manipulation inappropriée des déchets.

Pour de plus amples renseignements sur la collecte et le recyclage des piles et appareils usagés, veuillez vous renseigner auprès de votre mairie, du service municipal d'enlèvement des déchets ou du point de vente où vous avez acheté les articles concernés.

Le non-respect de la réglementation relative à l'élimination des déchets est passible d'une peine d'amende.



Pour les utilisateurs professionnels au sein de l'Union européenne

Si vous souhaitez vous défaire de pièces d'équipement électrique ou électronique, veuillez vous renseigner directement auprès de votre détaillant ou de votre fournisseur.

Information relative à l'élimination des déchets dans les pays extérieurs à l'Union européenne

Ce pictogramme n'est valide qu'à l'intérieur de l'Union européenne. Pour supprimer ce produit, contactez les autorités locales ou votre revendeur afin de connaître la procédure d'élimination à suivre.



Note relative au pictogramme à apposer sur les piles

Le pictogramme représentant une poubelle sur roues barrée d'une croix est conforme à la réglementation. Si ce pictogramme est combiné avec un symbole chimique, il remplit également les exigences posées par la Directive relative au produit chimique concerné.

Remarque :

Il est très important de démonter la porte avant de jeter l'appareil. Ceci pour éviter tout accident par des enfants jouant avec l'appareil et la porte.



Revision date: 29-10-2021
Drawing no.: 8060904 rev 03