



BIOMEDICAL



Protection for storage
CE 0113G nA IIB T6

VTS 098

BIOMEDICAL ULT FREEZER

With a compact design, this undercounter fits perfectly beneath your work bench, providing a storage solution that is ideal for places where space is limited.



DIMENSIONS		VALUE
Outer Dimensions HxWxD		808x595x585
Depth incl. door handle		695
Height + feet/casters		808 + 22-27
Inner Dimensions HxWxD		675x430x425
Weight Gross/Net, kg		87 / 61
Material inner cabinet		Stainless Steel
Material outer cabinet		Painted Steel
Insulation thickness		80
Insulation type		Polyurethane with Cyclopentane
Mobility		4 x adjustable feet
Refrigerant, Type / gram		Nature R 2/109gr
CONTROLLER		VALUE
Controller language		No Language - only 3 digits
USB Connection		Yes
Datalogging		Yes
High/Low temp. Alarm		Yes
Open door alarm		Yes
Probe failure alarm		Yes
Power failure alarm		Yes
STORAGE		VALUE
Volume, Gross/Net, L		92 / 92
Shelves		3
Cryoboxes "2		63
FEATURES		VALUE
Lock		Yes
LED light		Yes
Battery Back Up For Controller		Yes - 24h
Porthole		Yes - Ø 14,5mm
Dry contact		Yes
Casters		Optional
Door		Solid
Door reversibility		No
Vacuum valve		Yes
VIP (Vacum panel)		Yes
Perimeter heater		Hot gas loop



VTS 098

BIOMEDICAL ULT FREEZER

With a compact design, this undercounter fits perfectly beneath your work bench, providing a storage solution that is ideal for places where space is limited.

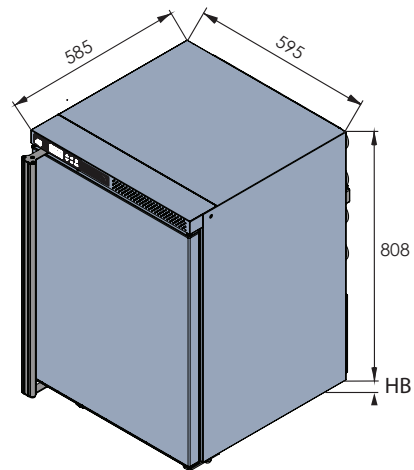
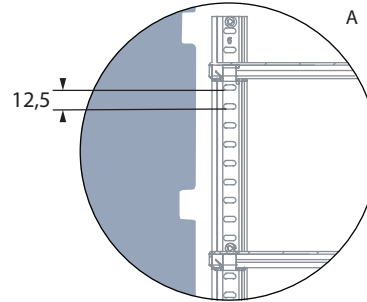
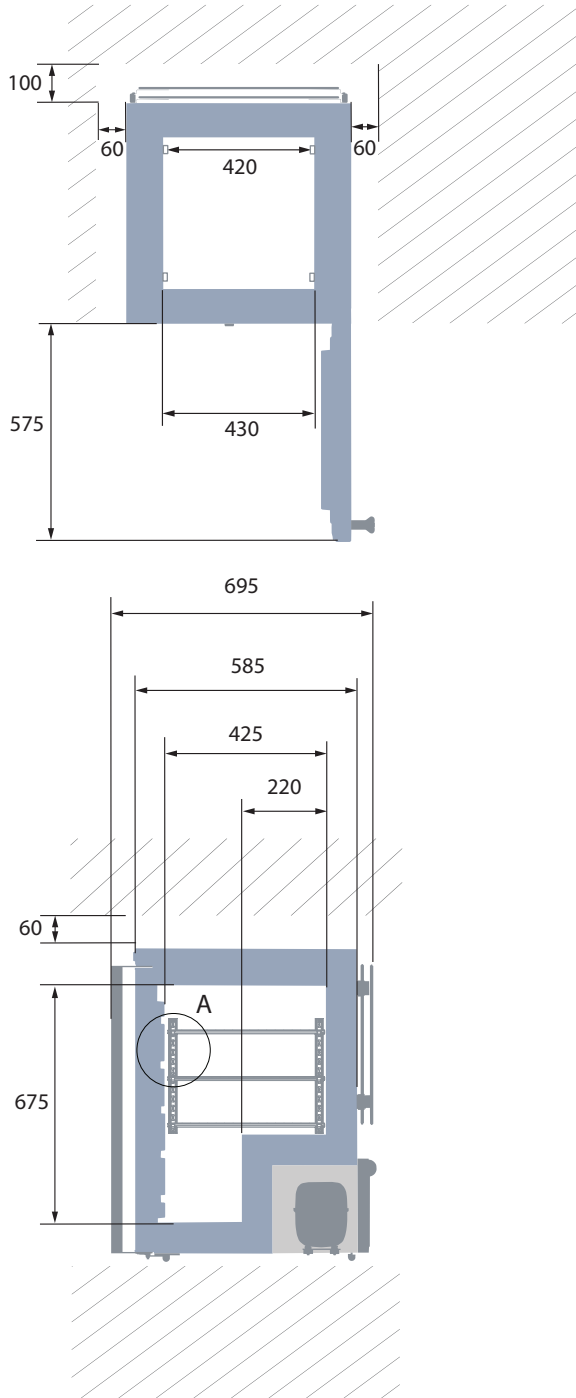
PERFORMANCE	UNIT	VALUE
All data in RT20°C		
Temperature Range	°C	-20 to -86
Uniformity in performance - difference between top and bottom	°C	+/- 2,0
Pull down time	Minutes	168 min to -75°C
Hold over time	Minutes	102 min to -60°C
Noise	dB	
Energy Saving Mode	kWh/24h	NA
Energy Consumption, kWh / 24h	kWh/24h	6,562 kWh/24h Set -82
Energy year	kWh/year	2395,13kWh/y Set -82°C
Instant Power Consumption	kW	PD 0,750-0,4/Stable 0,330
Heat Rejection	W	393
U-Value	W/m ² K	0,18
COOLING COMPONENTS		VALUE
Refrigerant/Amount (gram)		Nature R 2/109gr
Number of compressors	pcs	1
Varibel speed compressor	Yes/No	No
Internal air distribution (type of)		Static
Evaporator Fan	Yes/No/Variable	No
Condenser Fan	Yes/No/Variable	Yes
Number of probes	pcs	1
Defrost	Yes/No	No



VTS 098

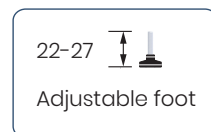
BIOMEDICAL ULT FREEZER

With a compact design, this undercounter fits perfectly beneath your work bench, providing a storage solution that is ideal for places where space is limited.



All measurements in mm.

HB: Height of base
(HB is adjustable when given value is xx-xx)



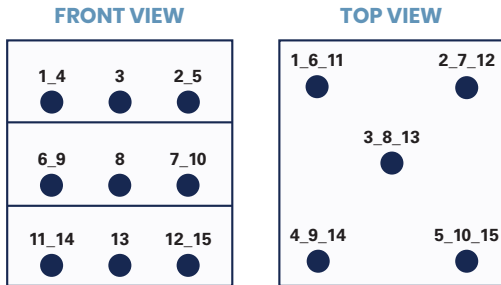


VTS 098

BIOMEDICAL ULT FREEZER

With a compact design, this undercounter fits perfectly beneath your work bench, providing a storage solution that is ideal for places where space is limited.

SENSOR POSITION

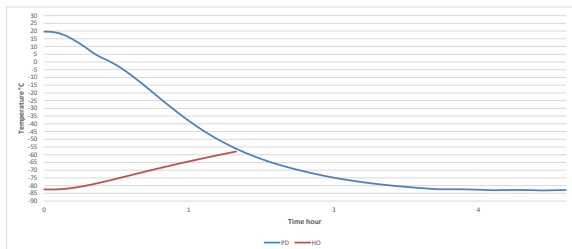


MODEL	VTS 098
Test type	8-point test
Test environment	Controlled conditions, empty cabinet
Ambient temperature	20°C
Humidity	60%
Set-point	-82°C
Sensor used	25gr tinned brass formed as a cylinder with a diameter of 15,2 mm
Installation	Appliance installed according to instruction manual conditions
Refrigerant	Nature R

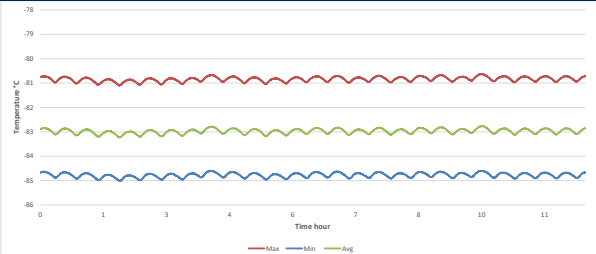
SENSOR TEMPERATURE

Sensor position	P1	P2	P3	P4	P5	P6	P7	P8	P9	P10	P11	P12	P13	P14	P15
Max	-80,9	-81,2	-81,1	-80,9	-80,6	-84,6	-84,2	-83,5	-83,4	-83,2	-83,6	-83,4	-83,8	-83,8	-83,6
Avg.	-81,1	-81,4	-81,3	-81,2	-80,8	-84,8	-84,4	-83,7	-83,6	-83,4	-83,8	-83,6	-84,1	-84,1	-83,9
Min.	-81,3	-81,6	-81,6	-81,4	-81,1	-85	-84,6	-83,9	-83,9	-83,6	-84,1	-83,8	-84,4	-84,4	-84,1

WARM UP & PULL DOWN



CYCLIC OPERATION



TYPICAL PERFORMANCE IN AMBIENT 20°C – EMPTY CABINET

Avg. cabinet temperature	-83°C
Peak variation from set-point	+1,7/-2,6°C
Stability in avg.	±0,2°C
1 min. door open recovery to -75°C avg. temperature	32 min.
Cycle rate on/off	22,7/4,7 min.
Duty cycle	82,4%
Energy consumption	6,56 kWh/day
Pull down time to -75°C avg. temperature	168 min.
Hold over time from -82°C to -60°C	102 min.
Sample temperature does not exceed	-70°C