



+43°C



Vestfrost Solutions is working towards reaching the UN - Global Sustainable Development Goals by 2030.

The Sustainable Development Goals are the blueprint to achieve a better and more sustainable future for all.

In order to implement Goal no 12 "Responsible Consumption and Production", this manual has been printed on recycled paper.



Vaccine and Icepack Freezer MF 114

- GB Instructions for use
- FR Consignes d'utilisation
- ES Instrucciones para el uso
- RUS Инструкция по эксплуатации
- CHI 使用说明

ARA مداخلتسالا تامي لعت

WARNING

As the appliance contains flammable refrigerant, as stated on nameplate, it is essential to ensure that the refrigerant pipes are not damaged.

The quantity and type of the refrigerant used in your appliance is indicated on the rating plate.

Standard EN378 specifies that the room in which you install your appliance must have a volume of 1m³ per 8 g of hydrocarbon refrigerant used in the appliances. This is to avoid the formation of flammable gas/air mixtures in the room where the appliance is located in the event of a leak in the refrigerant circuit.

WARNING:

Ventilation openings in the appliance or in built-in structures must be kept clear.

WARNING:

Do not use other mechanical devices or means to accelerate the defrosting process or to remove rime other than those recommended by the manufacturer.

WARNING:

Do not damage the refrigerant system.

WARNING:

The appliance may not be exposed to rain.

WARNING:

This appliance is not intended for use by persons (including children) with reduced physical, sensory or mental capabilities, or lack experience and knowledge, unless they have been given supervision or instructions concerning use of the appliance by a person responsible for their safety. Children should be supervised to ensure that they do not play with the appliance.

WARNING:

Children must not play with, on, or around the appliance.

WARNING:

Children must not clean the appliance or carry out general maintenance unless they are at least 8 years old and are being supervised.

WARNING:

Always, keep the keys in a separate place and out of reach of children.

WARNING:

Before servicing or cleaning the appliance, switch off circuit breaker.

**WARNING:**

Danger risk of fire or explosion. Flammable refrigerant used, as stated on nameplate. To be repaired only by trained personnel.

WARNING:

Do not store explosive substances such as aerosol cans with a flammable propellant in this appliance.

WARNING:

When positioning the appliance, ensure the power cord is not trapped or damaged.

WARNING:

Do not locate multiple portable socket-outlets or portable power supplies at the rear of the appliance.

WARNING:

Appliance use flammable insulation blowing gas. For information about safe disposal, please contact your local disposal service. See section for Disposal.

Contents

WARNING	2
Get to know your Freezer	5
General information	6
Unpacking and installation.....	6
Voltage stabilizers.....	7
Electrical connection.....	7
Cool down of the appliance	8
Temperature adjustment.....	8
Loading the appliance	9
Defrosting and cleaning.....	9
Trouble shooting.....	11
Warranty, spare parts and service	12
Spare parts list.....	14
Wire-diagram.....	15
Disposal.....	16

Get to know your Freezer

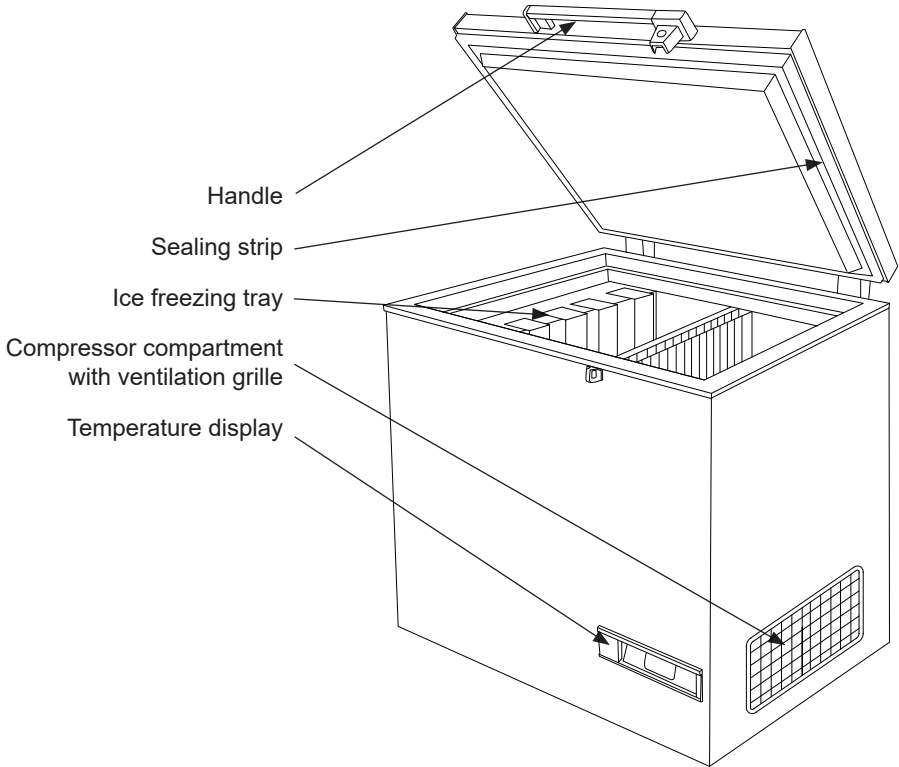


Fig. 1

PQS Code	Model	PQS Performance specifications Specification reference:	PQS Independent type-testing protocol Product verification protocol:
E003/024	MF 114	E003/FZ01.2	E003/FZ01-VP.2

General information

MF-Model is a vaccine storage freezer and icepack freezer. It has two compartments; one for vaccine storage and one for icepack freezing.

Power supply

The MF vaccine freezer is equipped with a heavy-duty compressor that can operate at voltages 22% below nominal voltage. See the rating plate. If voltage variations go beyond this range it is recommended to use an automatic voltage stabilizer.

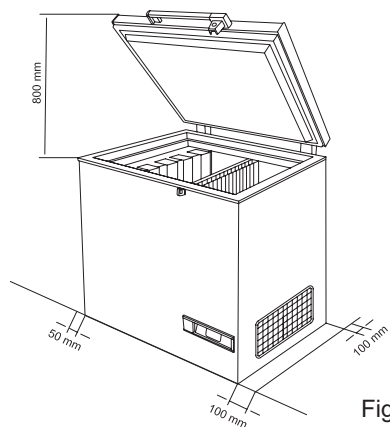


Fig. 2

IMPORTANT! There must be free access to the ventilation grille

Unpacking and installation

Unpacking

1. Unpack the appliance and check that it has not been damaged. If you observe any damage, inform your supervisor.
2. Check the rating for correct voltage and frequency.
3. Open and remove all internal packing material.

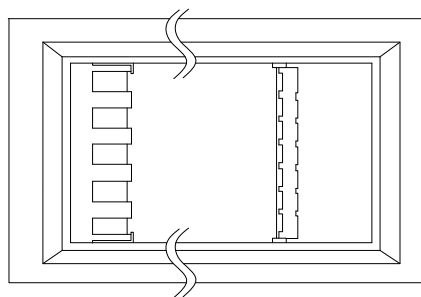


Fig. 3

Installation

The appliance must be placed in a well ventilated room, not in direct sunlight and away from other heating sources.

Place the appliance on the floor, ensure that it is level. Distance between the wall and the back and left side of the appliance must be minimum 50 mm and the distance between the wall and the right side of the appliance must be minimum 100 mm. (fig. 2).

If installed in a room with other refrigerators/freezers, ensure a minimum distance between the appliances of minimum 200 mm. There must be at least 30 mm clearance between the base of the appliance and the floor.

Voltage stabilizers

It is highly recommended that all cold chain equipment running on AC current is installed with a voltage stabilizer, in order to safeguard the equipment against voltage fluctuations.

Stabilizers should be selected & installed as per the input voltage available.

Instructions to User:

- Every refrigeration unit must be connected to an individual stabilizer.
- Bypassing of Stabilizer is not recommended, as such practice may lead to damage of the CCE & in turn safety of vaccines & hence must be avoided.
- **Proper earthing** should be available and connected.
- Emphasize on repairing stabilizers immediately. Identify authorized Vestfrost service provider in case of technical assistance is required.

The voltage stabilizer is also provided with arrangement to cut off its output voltage to the Vaccine/waterpacks freezer in case the mains voltage goes below or above as per designed input voltage range. The output is restored automatically after the factory set delay 3 to 6 minutes (WHO/PQS E007/VS01.4 specifications) when the mains voltage is within the recommended range and remains within.

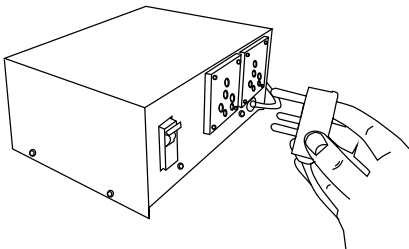


Fig. 4

Electrical connection

Wiring and connections in power supply systems must be all applicable (local and national) electrical codes. Consult these codes lengths and sizes prior to cabinet installation.

This device complies with relevant EU directives including Low Voltage Directive 2014/35/EU and Electromagnetic Compatibility Directive 2014/30/EU

The socket should be freely accessible.

Connect the appliance only to 220/240 V 50Hz alternating current via a correctly installed earthed socket.

The socket must be fused with a 10-13 A fuse.

If the appliance is to be operated in a non-European country, check on the rating plate whether the indicated voltage and current type correspond to the values of your mains supply.

Information regarding voltage, current or power are given on the rating plate

The power cord may be replaced by a technician only.

Check that the plug fits your type of socket. If it does not fit, have a qualified electrician to fit the plug. This appliance must be earthed.

Connect the appliance to voltage stabilizer and connect voltage stabilizer to wall socket. (Fig 4 + 5)

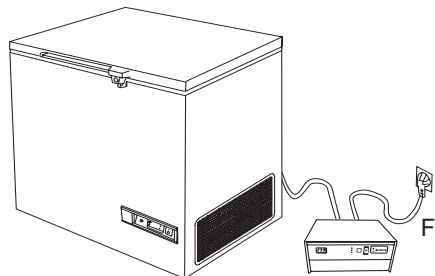


Fig. 5

Cool down of the appliance

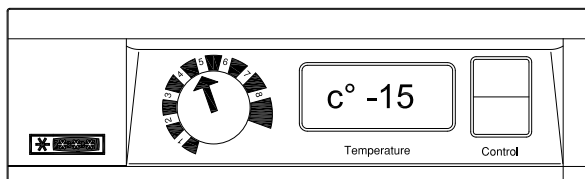


Fig. 6

Before the appliance is loaded with vaccines ensure that the temperature is below -15°C :

- Set the thermostat at position 5
- Check the temperature on the thermometer
- If the temperature in the vaccine compartment is above -15°C the thermostat should be adjusted. The temperature in the vaccine compartment must always be monitored on the thermometer and be within the range -15 to -25°C .

Due to the mechanical tolerance of the thermostats you should always control the temperature during cool down .

Temperature adjustment

This appliance is equipped with one thermostat. See Fig. 6 and Fig. 7

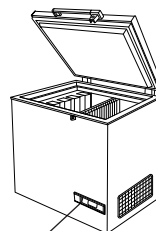


Fig. 7

The thermostat is a electronic thermostat that controls the temperature in the vaccine and icepack freezing compartments. Setting 1 applies minimum cold and setting 8 maximum cold.

Loading the appliance

Loading vaccines

When the temperature in the freezer has stabilized, i.e. the temperature should be below -15 to -25°C and the compressor stops and starts, vaccines can be loaded. The vaccines should be placed in the mid part.

Loading and freezing of icepacks

The icepacks should be placed in the icepack compartment and the suspended tray. Make sure you have a good contact between the icepack and the evaporator surface. Fig. 8

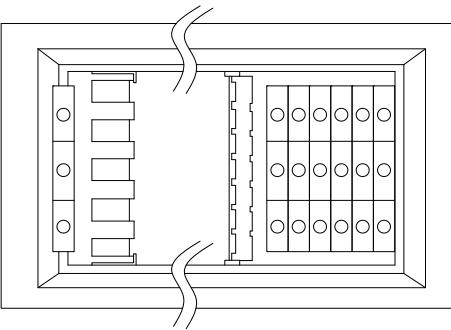


Fig. 8

If thermostat is set to a warmer position, remember to check the temperature in the vaccine compartment

Defrosting and cleaning

For the appliance to operate well and to save energy, it is important that it is cleaned and defrosted regularly.

When opening the appliance, moisture enters and settles on inner cold surfaces and forms a layer of frost or ice.

The layer of ice makes the freezer less efficient and must be removed, "defrosted".

It is recommended that the appliance be defrosted every third month.

Defrosting

The water-packs stored and the humidity of the air gradually causes frost and ice to form in the freezer compartment. A thin layer of frost or ice does not affect freezer performance, but a thick layer could cause the freezer not to cool water-packs satisfactorily. Small amounts of loose frost can be removed using a plastic scraper.

Never use electrical apparatus or sharp implements as these may damage the inside of the appliance.

When the layer of frost and ice exceeds 4-5 mm the freezer should be completely defrosted.

Proceed as follows:

1. Before defrosting, vaccines and/or water-packs must be moved to another working freezer or cold box with ice-packs.
2. Switch off the appliance.
3. Open the drainage plug placed inside the freezer compartment.
4. Place a tray under the defrost water drain.

5. Place a bowl of hot (but not boiling) water in the freezer, close the lid and wait approx. 30 minutes before removing loose frost with the plastic scraper.
6. To prevent water from damaging the floor during defrosting, it is advisable to check the defrost water tray from time to time and to cover the floor around the defrost water drain to protect against ice and splashes. When all the frost and ice have melted, clean the inside cabinet, as well lid, lid gasket, and outside of the cabinet using water with a mild, perfume-free detergent.
7. Dry the freezer with a soft cloth, and make sure no moisture is remaining after cleaning.
8. Reinsert the internal drainage plug, and check lid gasket is not faulty.
9. Switch on the appliance, and make sure it is freezing (Temperatures decreasing)
10. Check water-packs are not leaking before returning them to the freezer compartment. Store water-packs and vaccines according instructions, approx. 5 minutes after having switched it on. Close the lid
3. Allow the cleaned parts to dry completely.
4. Clean the outside of the appliance with a mixture of lukewarm water and a mild detergent or soap.
5. Close the lid and follow the procedures in "Cool down of the appliance" page 7

Cleaning

1. Once the appliance is defrosted it must be cleaned.
2. Clean the inside of the appliance with a mixture of lukewarm water and a mild detergent.



Trouble shooting

Fault	Possible cause	Remedy
Compressor is not running, and the ice packs are not cold	Be patient, it is most likely that the compressor will start within a few minutes.	If this is not the case, check the following: <ul style="list-style-type: none">- Check that power is connected.- Check the fuse and replace it if necessary.- If the above is OK, call technical supervisor.
Compressor is running, and the temperature is too high	The ventilation grille is blocked. The lid is not closed properly. The temperature in the room in which the appliance is installed is too high.	Ensure unhindered air circulation. Ensure that the lid is closed properly. Shield the appliance against direct sun light and ensure more ventilation to the room.
No temperature is displayed	The thermometer is broken. There is not enough light for the solar sensor.	Change the thermometer. Turn on the light.

Warranty, spare parts and service

Warranty disclaimer

Faults and damage caused directly or indirectly by incorrect operation, misuse, insufficient maintenance, incorrect building, installation or mains connections. Fire, accident, lightning, voltage variation or other electrical interference, including defective fuses or faults in mains installations are not covered by the warranty.

Repairs performed by others than approved service centres and any other faults and damage that the manufacturer can substantiate are caused by reasons other than manufacturing or material faults are not covered by the warranty.

Please note that changes to the construction of the appliance or changes to the component equipment of the appliance will invalidate warranty and product liability, and the appliance cannot be used lawfully. The approval stated on rating plate will also be invalidated.

Transport damage discovered by the buyer is primarily a matter to be settled between the buyer and the distributor, i.e. the distributor must ensure that such complaints are resolved to the buyer's satisfaction.

Before calling for technical assistance, please check whether you are able to rectify the fault yourself. If your request for assistance is unwarranted, e.g. if the appliance has failed as a result of a blown fuse or incorrect operation, you will be charged the costs incurred by your call for technical assistance.

Spare parts

When ordering spare parts, please state the type, serial and product numbers of your appliance. This information is given on the rating plate. The rating plate contains various technical information, including type and serial numbers.

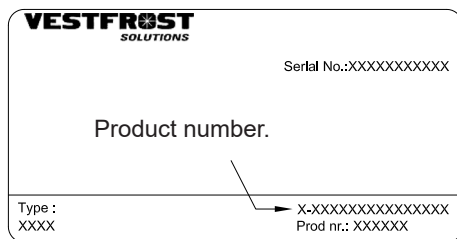
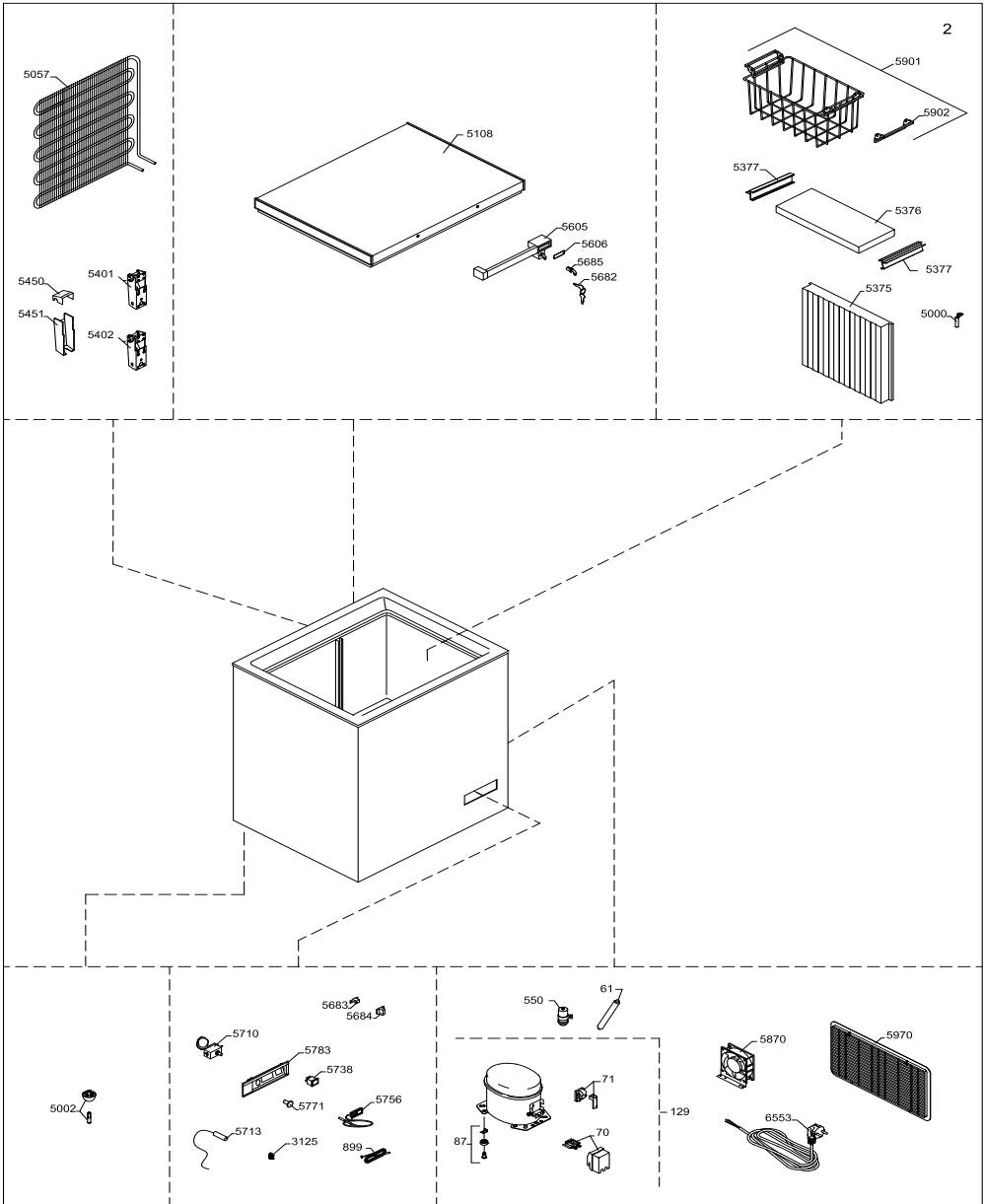


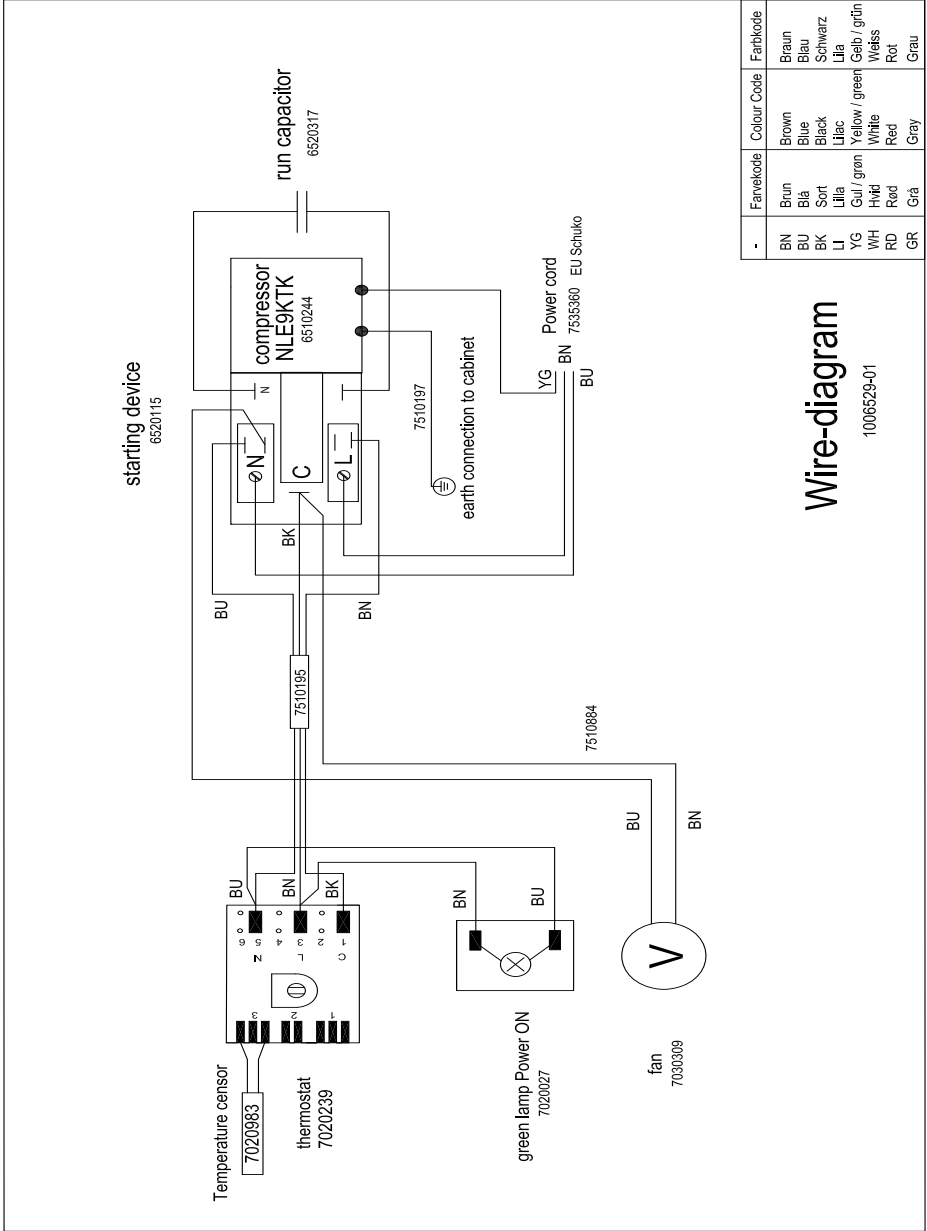
Fig 9

Spare parts list

Position	Item number	Item name
0061	0-6538001	Filter drier,
0070	A921001	Cover + wiring clamp
0071	A921115	Starting device, 103N0021
0087	0-6038175	Base plate fittings, complete
0129	8-036038255	Compressor - NLE 9KTK , Complete, R600a
0550	6520317	Run cap. 117-7119 4uF/4,8 receptacles
0899	7020983	Sensor
3125	3010457	Pipe holder Ø6
5000	3010049	Drain plug
5002	6000959	Foot with pin
5057	6010084	WOT condenser
5108	5000917670	Lid foamed without handle/hinges
5375	6000965	Partition, complete
5376	5020105	Lid for fast freeze compartment
5377	3020245-23	Handle
5401	1510133	Hinge
5402	1510136	Hinge with spring
5450	3011135-01	Top part for hinge cover
5451	3010032-01	Bottom part for hinge cover
5605	304090501	Handle with lock (push and turn)
5606	8090342-94	Inlay for handle,
5682	1510046	Key, set - 2pc.
5683	2040145	Catch for handle
5684	3010265-01	Cover for catch
5685	600098801	Lock with keys,(push and turn)
5707	7020248	Voltage stabilizer
5710	7020239	Thermostat, freezer
5713	7020960	Sensor NTC S1, Cool
5738	7010027	Pilot lamp, green
5756	7020164	Thermometer, solar
5771	3010051-01	Thermostat knob
5783	3040146	Control panel
5870	6000308	Fan
5901	353090001	Basket with handle, white
5902	3010107-01	Spare handle for basket
5970	3010308-01	Motor screen
6553	7535360	Mains lead, Schuko, 3G1/2600



Wire-diagram



Disposal

Information for Users on Collection and Disposal of Old Equipment and used Batteries



These symbols on the products, packaging, and/or accompanying documents mean that used electrical and electronic products and batteries should not be mixed with general household waste. For proper treatment, recovery and recycling of old products and used batteries, please take them to applicable collection points, in accordance with your national legislation and the Directives 2012/19/EU and 2006/66/EC.

By disposing of these products and batteries correctly, you will help to save valuable resources and prevent any potential negative effects on human health and the environment which could otherwise arise from inappropriate waste handling.

For more information about collection and recycling of old products and batteries, please contact your local municipality, your waste disposal service or the point of sale where you purchased the items.

Penalties may be applicable for incorrect disposal of this waste, in accordance with national legislation.



For business users in the European Union.

If you wish to discard electrical and electronic equipment, please contact your dealer or supplier for further information.

[Information on Disposal in other Countries outside the European Union]

These symbols are only valid in the European Union. If you wish to discard this product, please contact your local authorities or dealer and ask for the correct method of disposal.

Note for the battery symbol:



This symbol might be used in combination with a chemical symbol. In this case it complies with the requirement set by the Directive for the chemical involved.

Avertissement

Puisque l'appareil contient des hydrocarbures réfrigérant s'il vous plaît se référer aux directives ci-dessous.

La quantité et le type de réfrigérant utilisée dans votre appareil est indiquée sur la plaque signalétique.

La norme EN378 précise que la pièce dans laquelle vous installez votre appareil doit posséder un volume de 1 m³ par 8 g de réfrigérant avec des hydrocarbures utilisés dans l'appareil afin d'éviter la formation de mélanges gaz/air inflammable dans la pièce où l'appareil est installé dans le cas où il y aurait une fuite dans le circuit réfrigérant.

AVERTISSEMENT:

Gardez les orifices de ventilation, situés sur la carrosserie de l'appareil ou autour de l'appareil, libres de toute obstruction

AVERTISSEMENT:

Ne pas utiliser d'appareils mécaniques ou autres moyens pour accélérer la décongélation sauf ce qui est recommandé par le fabricant.

AVERTISSEMENT:

Ne pas endommager le système de réfrigération.

AVERTISSEMENT:

Ne pas utiliser d'appareils électriques à l'intérieur du compartiment de stockage sauf s'ils sont recommandés par le fabricant.

AVERTISSEMENT:

L'appareil ne doit pas être exposé à la pluie.

AVERTISSEMENT:

Cet appareil n'est pas conçu pour une utilisation par de jeunes enfants ou des personnes handicapées sauf si elles sont sous la surveillance d'un adulte responsable. Les enfants ne doivent pas jouer avec l'appareil.

AVERTISSEMENT:

Ne pas entreposer des explosifs, tels que les aérosols avec propulseurs inflammables dans l'appareil.

AVERTISSEMENT:

Les enfants ne doivent pas jouer avec l'appareil.

AVERTISSEMENT:

Le nettoyage et l'entretien effectué par l'utilisateur ne doivent pas être accomplis par des enfants, sauf s'ils sont âgés de 8 ans et plus et qu'un adulte les surveille.

AVERTISSEMENT:

Ne pas entreposer des explosifs, tels que les aérosols avec propulseurs inflammables dans l'appareil.

**AVERTISSEMENT:**

Danger – risque d'incendie ou d'explosion si réfrigérant inflammable utilisé. L'appareil doit seulement être réparé par un personnel qualifié.

AVERTISSEMENT:

Lors de la mise en place de l'appareil assurez-vous que son cordon d'alimentation n'est pas coincé ni endommagé

AVERTISSEMENT:

Ne placez pas plusieurs prises de courant portables ou des sources d'alimentation portables à l'arrière de l'appareil.

AVERTISSEMENT:

L'isolation de l'appareil contient un gaz propulseur inflammable. Pour plus d'informations sur la mise au rebut sûre, veuillez contacter votre service municipal d'enlèvement de déchets. Voir le chapitre «Mise au rebut».

Sommaire

Avertissement.....	2
Faire connaissance avec son réfrigérateur	5
Information générale.....	6
Déballage et installation	6
Stabilisateurs de tension	7
Caracteristiques techniques	7
Refroidissement de l'appareil.....	8
Réglage de la température	8
Chargement de l'appareil.....	9
Dégivrage et nettoyage	9
Identification des pannes.....	11
Garantie, pièces de rechange et service après-vente.....	12
Liste des pièces détachées	13
Schéma de câblage.....	15
Mise au rebut.....	16

Faire connaissance avec son réfrigérateur

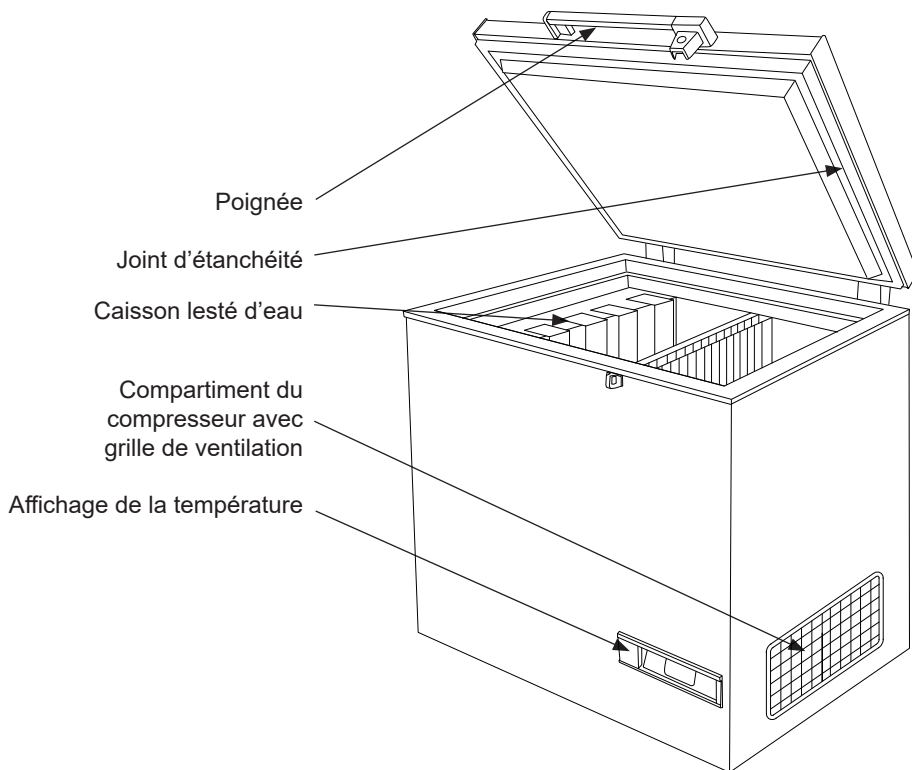


Fig. 1

Code PQS	Modèle	Spécifications de performance PQS Référence de spécification :	Registre d'essai de type indépendant PQS Registre de vérification du produit :
E003/024	MF 114	E003/FZ01.2	E003/FZ01-VP.2

Information générale

Modèle MF est un congélateur à conservation des vaccins et un congélateur à accumulateurs de glace. Il présente deux compartiments: un pour la conservation des vaccins et un pour la congélation des accumulateurs de froid.

Alimentation Électrique

Le congélateur pour vaccins modèle MF est équipé d'un compresseur à haut rendement pouvant fonctionner avec une tension inférieure de 22 % au voltage nominal. Voir la plaque signalétique. Si les variations de tension débordent cette plage, l'emploi d'un stabilisateur automatique de tension est recommandé.

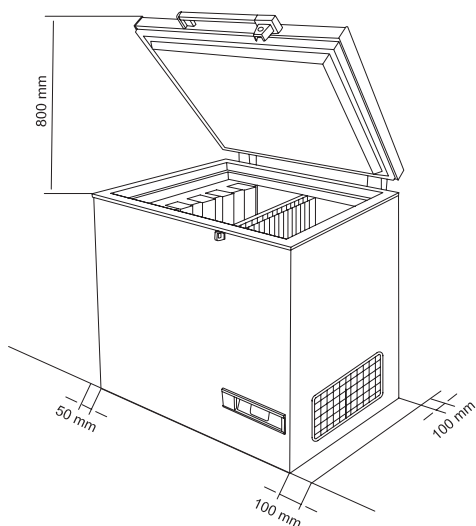


Fig. 2

Déballage et installation

1. Débarrer l'appareil et s'assurer qu'il n'a subi aucun dommage. Si un dommage est observé, contacter votre responsable technique.
2. Vérifier sur la plaque signalétique quelle tension et quelle fréquence conviennent.
3. Ouvrir et sortir tout le matériel emballé à l'intérieur.

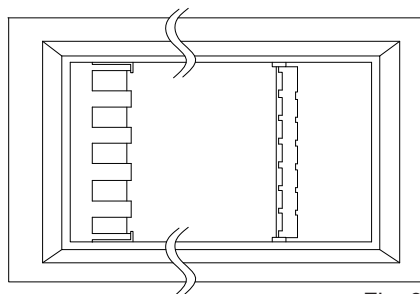


Fig. 3

Installation

L'appareil doit être placé dans une pièce bien ventilée, à l'abri du soleil et loin des autres sources de chaleur.

Placer l'appareil sur le sol, vérifier qu'il est de niveau. L'espace entre le mur, le dos et le côté gauche de l'appareil doit être de 50 mm au minimum. L'espace entre le mur et le côté droit de l'appareil doit être de 100 mm au minimum. (fig. 2) En cas d'installation dans une pièce contenant d'autres réfrigérateurs/congélateurs, respecter un espace de 200 mm au minimum entre les appareils.

Il doit y avoir au moins 30 mm d'espace entre la base de l'appareil et le sol.

REMARQUE : L'accès à la grille de ventilation doit être libre.

Stabilisateurs de tension **Caracteristiques techniques**

Il est fortement recommandé d'utiliser un stabilisateur de tension pour tous les équipements de chaîne de réfrigération qui sont alimentés par courant CA afin de protéger ces équipements des fluctuations de tension.

Les stabilisateurs doivent être choisis et installés en fonction de la tension d'entrée disponible.

Instructions pour l'utilisateur :

- Chaque appareil de réfrigération doit être raccordé à un stabilisateur individuel.
- Le contournement de stabilisateur n'est pas recommandé, car cette pratique peut causer des dommages à la chaîne de réfrigération (CCE) et à la sécurité des vaccins et donc elle doit être évitée.
- **Une mise à la terre adéquate doit être disponible et raccordée.**
- Insistez pour réparer les stabilisateurs immédiatement. Identifiez le fournisseur de service Vestfrost autorisé qui répondra aux besoins d'aide technique si requis.

Le stabilisateur de tension est également conçu pour couper sa tension de sortie vers l'ILR si la tension principale chute sous ou excède la plage de tension conçue pour l'entrée. La sortie est automatiquement rétablie après un délai de 3 à 6 minutes fixé en usine (spécifications WHO/PQS E007/VS01.4) quand la tension principale se situe dans la plage recommandée et y demeure.

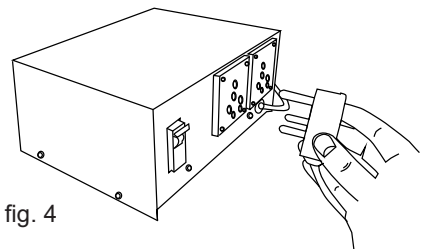


fig. 4

Le câblage et les raccordements électriques des systèmes d'alimentation électrique doivent respecter les normes électriques (locales et nationales) en vigueur. Consultez ces normes avant toute installation de l'appareil.

Ce dispositif est conforme aux directives de l'U.E. le concernant, y compris la Directive 2014/35/EU sur la Basse Tension et la Directive 2014/30/EU sur la Compatibilité Electro-magnétique.

La prise de courant doit rester facilement accessible. Brancher la fiche mâle de l'appareil dans une prise secteur en 220/240V0Hz réglementairement reliée à la terre.

La prise doit être protégée par un fusible/disjoncteur supportant de 10 A - 13A fusible.

Sur les appareils destinés aux pays non européens, vérifiez si la tension de branchement et le type de courant spécifiés sur la plaque signalétique concordent bien avec ceux offerts par le secteur du pays concerné.

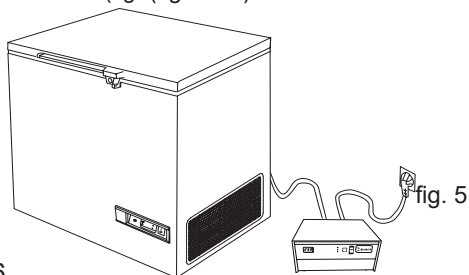
Les informations concernant la tension et la puissance absorbée / courant sont indiquées sur la plaque signalétique.

Si un changement de cordon d'alimentation électrique s'impose, cette opération est réservée à un spécialiste.

La plaque signalétique fournit diverses informations techniques ainsi que les numéros de type et de série.

N'utilisez en aucun cas des rallonges de câble.

Raccordez l'appareil au stabilisateur de tension et raccordez ce dernier à une prise murale (fig 4 + 5)



Refroidissement de l'appareil

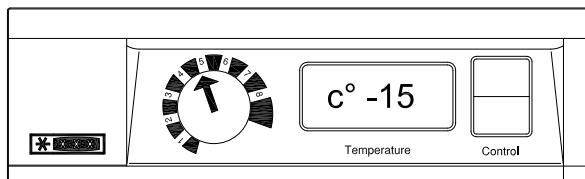


Fig. 6

Avant que les vaccins soient chargés dans l'appareil, s'assurer que la température est au-dessous de -15°C .

- Placer le thermostat externe sur la position 5
- Contrôler la température sur le thermomètre
- Si la température dans le compartiment à vaccins est au-dessus de -15°C , le thermostat doit être ajusté. La température dans le compartiment à vaccins doit être constamment contrôlée sur le thermomètre et doit se situer dans une fourchette de -15 to -25°C .

La précision du thermostat permet un contrôle constant de la température pendant le refroidissement.

Réglage de la température

Cet appareil est muni d'un thermostat. Voir Figure 6 et Figure 7

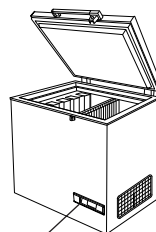


Fig. 7

Le thermostat est un thermostat mécanique pour le contrôle de la température dans le compartiment à vaccins et dans le compartiment aux accumulaterus de froid. Le réglage 1 produit le froid minimum et le 8 le froid maximum.

Chargement de l'appareil Dégivrage et nettoyage

Chargement des vaccins

Quand la température dans le congélateur s'est stabilisée, c'est à dire que la température est au-dessous de -15 et -25°C et le compresseur s'arrête et se mis en marche, les vaccins peuvent être chargés.

Chargement et congélation des accumulateurs de froid

Les accumulateurs de froid doivent être placés dans le compartiment aux accumulateurs de froid et le plateau suspendu. Vérifier qu'il y a de bon contact entre les accumulateurs de froid et la surface d'évaporateur. Figure 8.

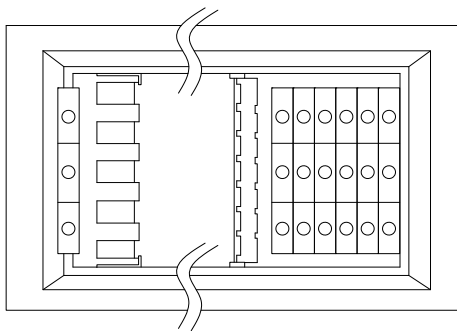


Fig 8

Si le thermostat est placé sur une position plus chaude, n'oubliez pas de contrôler la température dans le compartiment à vaccins.

Pour assurer à l'appareil son bon fonctionnement et pour économiser l'énergie, un nettoyage et un dégivrage réguliers sont indispensables.

En ouvrant l'appareil, on laisse entrer la condensation qui vient se fixer sur le froid des parois intérieures pour y former une couche de givre ou de glace. Ces couches de glace diminuent l'efficacité du congélateur: elles doivent être éliminées, « dégivrées ».

Un dégivrage de l'appareil tous les trois mois est recommandé.

Dégivrage

Procédez comme suit :

1. Avant le dégivrage, placer les vaccins dans un autre réfrigérateur en fonction ou dans une glacière.
2. Eteindre l'appareil.
3. Ouvrez les bouchons de drainage situé à l'intérieur du compartiment.
4. Placez un bac sous le drain d'eau de dégivrage.
5. Placez une bassine d'eau chaude (mais pas bouillante) dans le congélateur, refermez le couvercle et attendez environ 30 minutes avant d'ôter, au moyen d'une raclette en plastique, le givre qui se défait.
6. Afin d'éviter que l'eau n'abîme le sol durant le dégivrage, il est recommandé de vérifier le bac collecteur d'eau de dégivrage de temps en temps et de couvrir le sol autour du conduit d'eau de dégivrage

afin de le protéger contre les morceaux de glace et les éclaboussures. Quand tout le givre et toute la glace sont fondus, nettoyez l'intérieur de l'armoire, le couvercle, le joint du couvercle et l'extérieur de l'armoire en utilisant de l'eau et un détergent doux non parfumé.

7. Asséchez le congélateur avec un chiffon doux et assurez-vous qu'il ne reste plus d'humidité après le nettoyage.
8. Remettez en place les bouchons de drainage interne et externe et assurez-vous que le joint du couvercle n'est pas défectueux.
9. Allumez l'appareil et assurez-vous qu'il gèle (la température diminue).
10. Assurez-vous que les contenants d'eau ne fient pas avant de les retourner dans le compartiment de congélation. Placez les contenants d'eau en suivant les instructions, environ 5 minutes après le redémarrage. Fermez le couvercle.

Nettoyage

1. Une fois le dégivrage terminé, l'appareil doit être nettoyé.
2. Nettoyer l'intérieur de l'appareil à l'eau tiède additionnée d'un détergent doux.
3. Bien laisser sécher les parties nettoyées.
4. Nettoyer l'extérieur de l'appareil à l'eau tiède additionnée d'un détergent doux ou de savon.
5. Refermer le couvercle et suivre la procédure de «Refroidissement de l'appareil»

Identification des pannes

En cas d'anomalie	Causes possibles	Marche à suivre
Le compresseur ne fonctionne pas et les poches de glace ne sont pas froides	Patienter. Le compresseur va certainement se mettre en marche dans quelques minutes.	Si ce n'est pas le cas, procéder aux vérifications suivantes : - Vérifiez que l'alimentation est branchée et que le câble du panneau solaire à l'appareil n'est pas endommagé. - Vérifier l'état du fusible et le remplacer si nécessaire. - Si tous les éléments ci-dessus sont en ordre, appeler un responsable technique.
Le compresseur tourne, et la température est trop haute.	La grille de ventilation est bloquée. Le couvercle n'est pas fermé correctement. Le ventilateur dans l'appareil est bloqué ou défectueux. Le ventilateur dans le compartiment du compresseur est bloqué ou défectueux. L'appareil est placé dans une température ambiante trop élevée.	Assurer la libre circulation de l'air. S'assurer que le couvercle soit bien fermé. Vérifiez que le ventilateur fonctionne, sinon, le remplacer. Voir la section : Service Vérifiez que le ventilateur fonctionne, sinon, le remplacer. Voir la section : Service Protéger l'appareil contre la lumière directe du soleil et assurer une meilleure ventilation de la pièce.
La température n'est pas affichée	Le thermomètre solaire ne fonctionne pas. Il n'y a pas assez de lumière pour le capteur solaire.	Remplacez le thermomètre solaire. Allumez la lumière.

Garantie, pièces de rechange et service après-vente

Les pannes ou les dommages dûs directement ou indirectement à une utilisation incorrecte ou fautive, un entretien insuffisant, un encastrement, une mise en place ou un raccordement incorrect, un incendie, un accident, un impact de foudre, des variations de tension et tout autre dysfonctionnement électrique dû par exemple à des fusibles ou disjoncteurs défectueux, ou à des défauts du réseau d'alimentation électrique ne sont pas couverts par la garantie. Dans le cas de réparations effectuées par des personnes autres que les réparateurs agréés par le fournisseur, et en termes généraux l'ensemble des pannes et dommages dont le fournisseur peut prouver qu'ils sont dûs à d'autres causes que des erreurs ou défauts de fabrication et de matériaux et qui, par conséquent, ne sont pas couverts par la garantie.

Veillez noter que lorsqu'une intervention dans la construction ou d'une modification des composants de l'appareil a été faite, la garantie et la responsabilité du fournisseur cesse, et l'appareil ne peut pas être utilisé légitimement. L'autorisation figurant sur la plaque signalétique ne sera plus valable.

Les dommages dûs au transport et constatés chez le client sont à régler entre le client et le revendeur, ce qui signifie que ce-dernier doit s'assurer de la satisfaction du client.

Avant de faire appel au service après-vente, toujours contrôler les points énumérés dans la liste de recherche des pannes (voir ce point). Dans le cas où la cause de l'intervention demandée ressort de la responsabilité de la personne ayant fait appel au service après-vente, par exemple

si la panne de l'appareil est due à un fusible grillé ou à une mauvaise utilisation, c'est cette personne qui devra régler les frais entraînés par cette intervention.

Pièces de rechange

Lors de la commande de pièces de rechange, indiquer le type, numéro de produit et de production de l'appareil. Ces renseignements se trouvent sur la plaque signalétique au dos de l'appareil. La plaque signalétique renferme plusieurs informations techniques, dont les numéros de type et de série.



Fig 9

TOUJOURS faire appel à des services agréés en cas de réparation ou de remplacement !

Liste des pièces détachées

Poste	Numéro d'article	Nom d'article
0061	0-6538001	Deshydrateur,
0070	A921001	Couvercle + plaquette serrage
0071	A921115	Démarrateur, 103N0021
0087	0-6038175	Pieds complets/compresseur (jeu)
0129	8-036038255	Compresseur - NLE 9KTK, Completé, R600a
0550	6520317	Condenseur de fonctionnement-4µF
0899	7020983	Palpeur
3125	3010457	Support de conduite
5000	3010049	Bouchon de drainage
5002	6000959	Pied avec tenon
5057	6010084	Condenseur
5108	5000917670	Couvercle moussé sans poignée/charnière
5375	6000965	Partition complète
5376	5020105	Couvercle pour compartiment de congélation
5377	3020245-23	Poignée
5401	1510133	Charnière
5402	1510136	Charnière avec ressort
5450	3011135-01	Patie sup./capot charniere
5451	3010032-01	Patie inf./capot charniere
5605	304090501	Poignée avec serrure
5606	8090342-94	Décoration poignée
5682	1510046	Clef, jeu - 2
5683	2040145	Serrure à ressort
5684	3010265-01	Couvercle
5685	600098801	Serrure avec clefs
5707	7020248	Stabilisateur de tension
5710	7020239	Thermostat, congélation
5713	7020960	Capteur NTC S1, Cool
5738	7010027	Lampe témoin, verte
5756	7020164	Thermomètre
5771	3010051-01	Bouton réglage thermostat
5783	3040146	Panneau de commande
5870	6000308	Ventilateur
5901	353090001	Panier avec poignée, blanc
5902	3010107-01	Poignee p. panier
5970	3010308-01	Grille cache motor
6553	7535360	Câble d'alimentation, Schuko, 3G1/2600

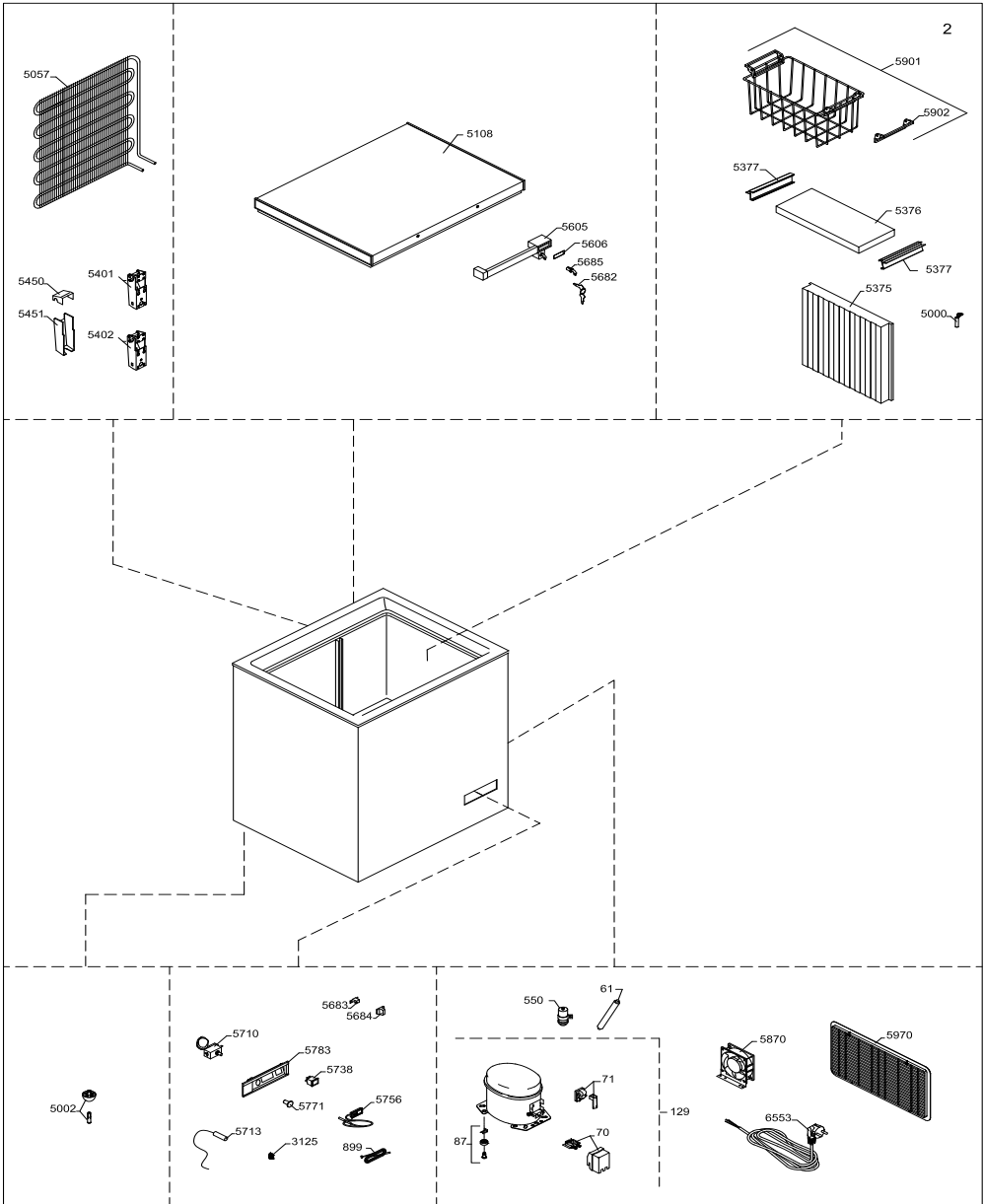
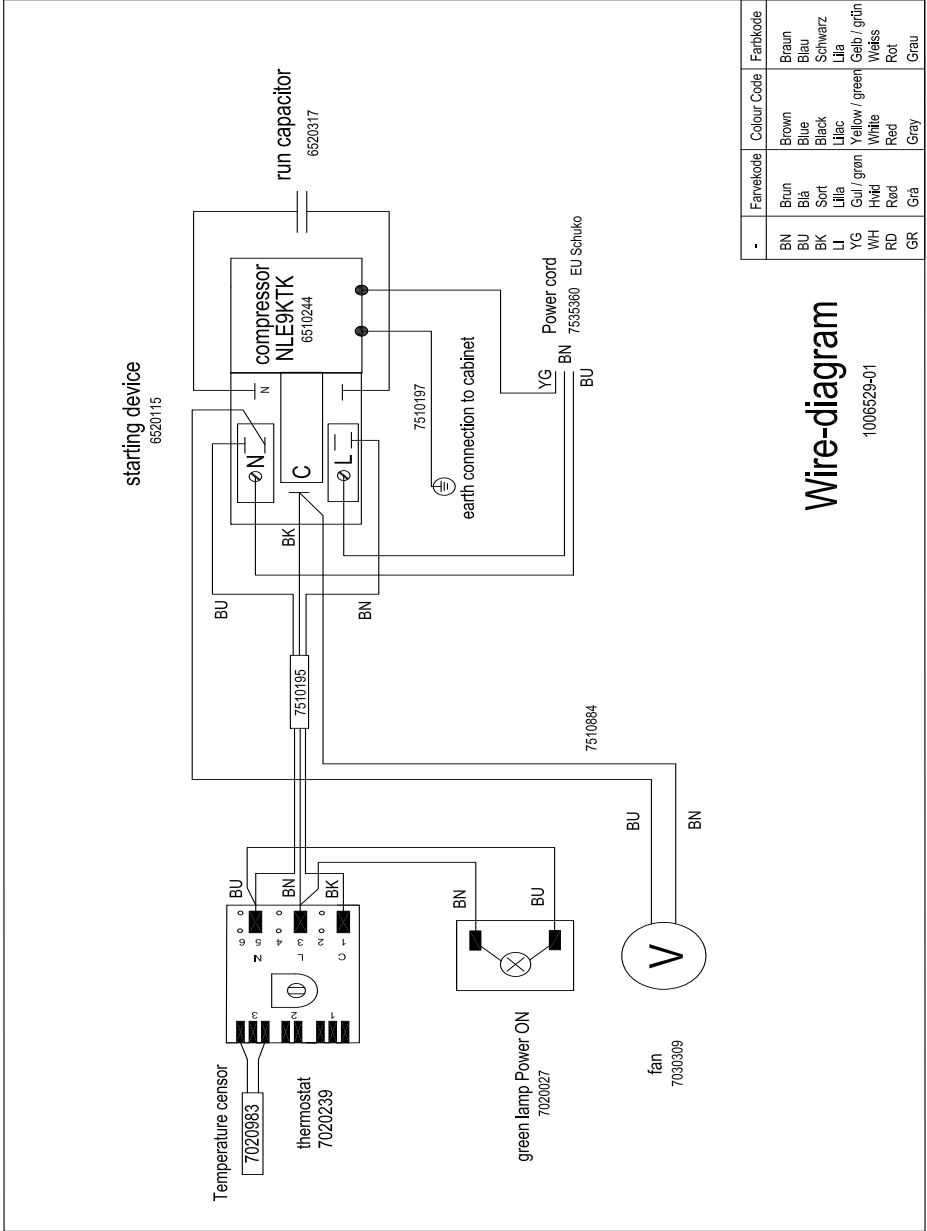


Schéma de câblage



Farbeleite	Colour Code	Farbkode
BN	Brown	Braun
BU	Blue	Blau
BK	Black	Schwarz
LI	Lilac	Lila
YG	Yellow / green	Gelb / grün
WH	White	Weiss
RD	Red	Rot
GR	Gray	Grau

Wire-diagram

1006529-01

Mise au rebut

Avis aux utilisateurs concernant la collecte et l'élimination des piles et des appareils électriques et électroniques usagés.



Apposé sur le produit lui-même, sur son emballage, ou figurant dans la documentation qui l'accompagne, ce pictogramme indique que les piles et appareils électriques et électroniques usagés doivent être séparés des ordures ménagères. Afin de permettre le traitement, la valorisation et le recyclage adéquats des piles et des appareils usagés, veuillez les porter à l'un des points de collecte prévus, conformément à la législation nationale en vigueur ainsi qu'aux directives 2012/19/EU et 2006/66/EC.

En éliminant piles et appareils usagés conformément à la réglementation en vigueur, vous contribuez à prévenir le gaspillage de ressources précieuses ainsi qu'à protéger la santé humaine et l'environnement contre les effets potentiellement nocifs d'une manipulation inappropriée des déchets.

Pour de plus amples renseignements sur la collecte et le recyclage des piles et appareils usagés, veuillez vous renseigner auprès de votre mairie, du service municipal d'enlèvement des déchets ou du point de vente où vous avez acheté les articles concernés.

Le non-respect de la réglementation relative à l'élimination des déchets est passible d'une peine d'amende.



Pour les utilisateurs professionnels au sein de l'Union européenne

Si vous souhaitez vous défaire de pièces d'équipement électrique ou électronique, veuillez vous renseigner directement auprès de votre détaillant ou de votre fournisseur.

[Information relative à l'élimination des déchets dans les pays extérieurs à l'Union européenne]

Ce pictogramme n'est valide qu'à l'intérieur de l'Union européenne. Pour supprimer ce produit, contactez les autorités locales ou votre revendeur afin de connaître la procédure d'élimination à suivre.



Note relative au pictogramme à apposer sur les piles

Le pictogramme représentant une poubelle sur roues barrée d'une croix est conforme à la réglementation. Si ce pictogramme est combiné avec un symbole chimique, il remplit également les exigences posées par la Directive relative au produit chimique concerné.

Advertencia

Puesto que el aparato contiene un refrigerante de hidrocarburos, por favor, consulte la lista de directrices que figura más abajo

La cantidad y el tipo de refrigerante usado en su aparato se indica en la placa de datos.

La Norma EN378 establece que el local en el que Ud. instale su aparato deberá tener un volumen de 1m³ por 8 g de refrigerante de hidrocarburos usado en los aparatos. El objetivo es evitar la formación de mezclas de aire/gas inflamable en el local donde esté situado el aparato, en caso de un escape en el circuito del refrigerante.

ADVERTENCIA:

Mantenga las aberturas de ventilación de la caja del aparato o de la estructura integrada libres de obstrucciones.

ADVERTENCIA:

No utilice dispositivos mecánicos ni otros medios para acelerar el proceso de descongelación que no sean los recomendados por el fabricante.

ADVERTENCIA:

No dañe el sistema del refrigerante.

ADVERTENCIA:

No utilice aparatos eléctricos dentro del compartimento de almacenamiento de alimentos del aparato, a menos que sean del tipo recomendado por el fabricante.

ADVERTENCIA:

No se debe exponer el aparato a la lluvia.

ADVERTENCIA:

Consejos y advertencias de seguridad. Este aparato puede ser utilizado por niños a partir de 8 años y por personas con limitaciones físicas, sensoriales o psíquicas, o que carezcan de experiencia y conocimientos, siempre y cuando sea bajo la supervisión de una persona responsable de su seguridad o que le haya instruido en el uso correcto del aparato siendo consciente de los daños que se pudieran ocasionar.

ADVERTENCIA:

No dejar que los niños jueguen con el aparato

ADVERTENCIA:

La limpieza y el mantenimiento rutinario no deben encomendarse a los niños a menos que sean mayores de 8 años y lo hagan bajo supervisión.

ADVERTENCIA:

No guarde sustancias explosivas, tales como latas de aerosol con un propelente inflamable en este electrodoméstico

**ADVERTENCIA:**

Peligro de incendio o explosión si refrigerante inflamable usado. Solo Debe ser reparado por personal capacitado

ADVERTENCIA:

al colocar el aparato, asegúrese de que el cable de energía no esté atascado o dañado.

ADVERTENCIA:

no ubique las tomas de corriente portátiles o suministros de energía portátiles en la parte trasera del aparato.

ADVERTENCIA:

El aparato utiliza gas soplado de aislamiento inflamable. Para obtener información sobre la eliminación segura, póngase en contacto con su servicio de eliminación local. Ver sección sobre eliminación.

Indice

Advertencia.....	2
Conozca su refrigerador	5
Información general.....	6
Desembalja e instalación.....	6
Estabilizador de voltaje.....	7
Conexión eléctrica	7
Enfriamiento del aparato	8
Regulación de la temperatura	8
Carga del aparato.....	9
Descongelación y limpieza	9
Corrección de fallos.....	11
Garantía, repuestos y servicio.....	12
Lista de piezas de repuesto.....	13
Diagrama de alambre	15
Eliminación de electrodomésticos	16

Conozca su refrigerador

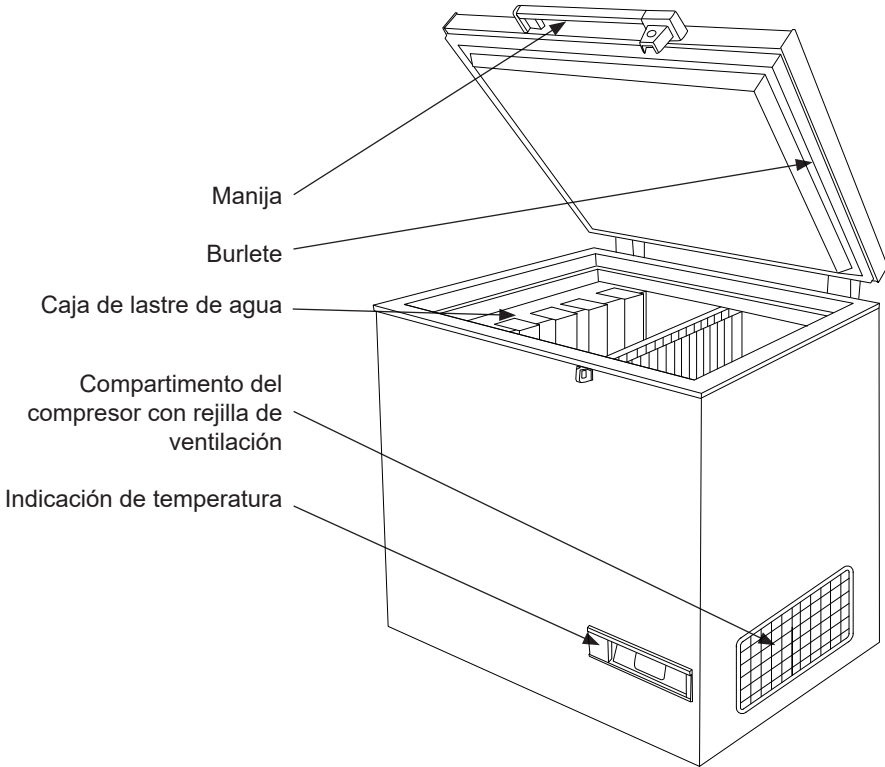


Fig. 1

Codigo PQS	Modelo	Especificaciones de rendimiento de PQS Referencia de especificación:	Protocolo independiente de prueba de PQS Protocolo de verificación de producto:
E003/024	MF 114	E003/FZ01.2	E003/FZ01-VP.2

Información general

El modelo MF es un congelador para el almacenamiento de vacunas y bolsas de hielo. Tiene dos compartimientos, uno para almacenar vacunas y otro para congelar bolsas de hielo.

Fuente de alimentación eléctrica

El congelador de vacunas MF viene equipado con un compresor de servicio pesado que puede funcionar con voltajes de hasta un 22% menor que el voltaje nominal. Consulte la placa de especificaciones técnicas. Si las variaciones de voltaje exceden estos márgenes, se recomienda el uso de un estabilizador automático de voltaje.

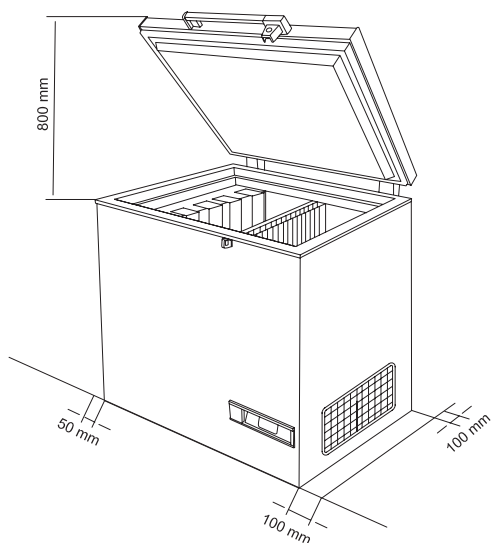


Fig. 2

AVISO: No debe obstaculizarse el acceso a la rejilla de ventilación.

Desembalja e instalación

Desembalja

- Retire el embalaje del aparato y verifique que no tenga daños. Si observa algún daño, infórmelo a su supervisor.
- Verifique que el voltaje y la frecuencia de la alimentación eléctrica coincidan con lo especificado.
- Abra el aparato y retire el material de embalaje

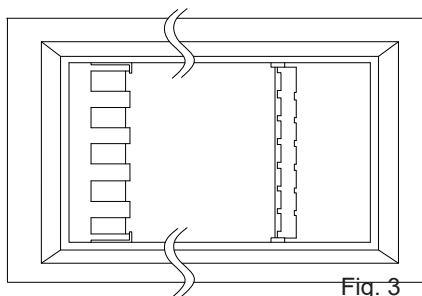


Fig. 3

Instalación

Se debe colocar el aparato en una habitación bien ventilada, no debe recibir luz

Coloque el aparato en el piso, cerciórese que esté a nivel. La distancia entre la pared y la parte posterior y el lado izquierdo del aparato debe ser de 50 mm como mínimo, y la distancia entre la pared y el lado derecho del aparato debe ser de 100 mm como mínimo. Figure 2

Si se instala en una habitación junto con otros refrigeradores/congeladores, cerciórese de que haya una distancia mínima de 200 mm entre los aparatos.

Debe haber una separación libre mínima de 30 mm entre la base del aparato y el suelo.

Estabilizador de voltaje

Es altamente recomendado que todos los equipos de cadena de frío, que funcionan con corriente alterna, se instalen con un estabilizador de voltaje, para proteger el equipo contra las fluctuaciones de voltaje.

Los estabilizadores deben ser seleccionados e instalados según el voltaje de entrada disponible.

Introducciones para el usuario:

Cada unidad de refrigeración debe estar conectada a un estabilizador individual. No se recomienda la derivación del estabilizador, ya que tal práctica puede provocar daños del CCE y, a su vez, la seguridad de las vacunas y por tanto debe ser evitado. La conexión a tierra correcta debe estar disponible y conectada. Enfatizan en reparar los estabilizadores inmediatamente. Identifique al proveedor de servicio autoriza de Vestfrost, en caso de que se necesite asistencia técnica.

El estabilizador de voltaje también se proporciona el arreglo para cortar su voltaje de salida para el ILR, en caso de que el voltaje de la red eléctrica pasa por encima o por debajo, según el gama de voltaje de entrada diseñado. La salida se restablece automáticamente después de la demora de ajuste de fábrica, de 3 a 6 minutos (WHO/PQS E007/vs 01.4 especificaciones) cuando el voltaje de la red eléctrica está dentro de la gama recomendada y permanece dentro.

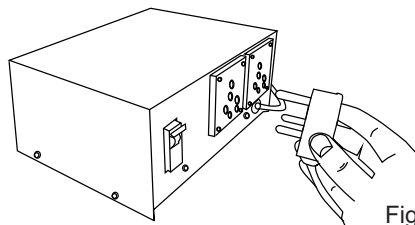


Fig. 4

Conexión eléctrica

Este aparato cumple con las directivas UE relevantes, incluso Directiva de Bajo Voltaje 2014/35/EU y Directiva de Compatibilidad Electromagnética 2014/30/EU.

La toma de corriente deberá ser libremente accesible (preferentemente emplazada por encima del armario).

Conectar la unidad a una red eléctrica de corriente alterna de 220/240V 50Hz a través de una toma de corriente instalada reglamentariamente y provista de puesta a tierra.

La toma de corriente debe estar protegida con un fusible de 10–13 amperios.

En los aparatos destinados a países fuera del continente europeo deberá verificarse si los valores de la tensión de conexión y el tipo de corriente que figuran en la placa de características del aparato coinciden con los de la red nacional.

La información sobre voltaje / corriente o la energía, se dan en la placa de características.

Si se ha dañado el cable de alimentación eléctrica, éste deberá ser reemplazado por el fabricante, su técnico de servicio o personal de una formación equivalente, para evitar peligros

La placa de características, situada en el interior del aparato, contiene algunos datos técnicos, además del número de tipo y serie. del número de tipo y serie.

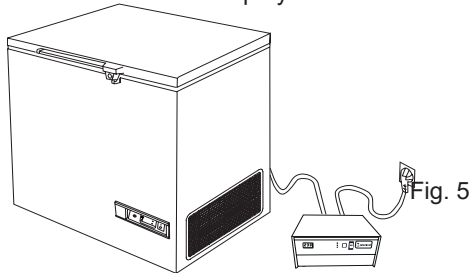


Fig. 5

Enfriamiento del aparato

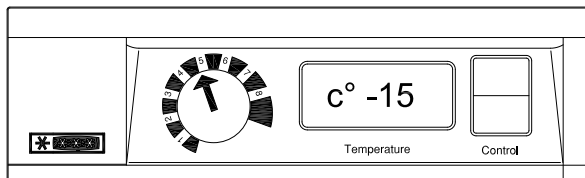


Fig 6

Antes de cargar el aparato de vacunas, asegúrese de que la temperatura sea inferior a $-15\text{ }^{\circ}\text{C}$:

- 1. Ajuste el termostato a la posición 5
- 2. Coloque un termómetro en la bandeja
- 3. Si la temperatura del compartimiento de vacunas es superior a $-15\text{ }^{\circ}\text{C}$, debería ajustarse el termostato. Siempre se debe observar la temperatura en el compartimiento para vacunas, y debe encontrarse dentro de los límites de $-15\text{ }^{\circ}\text{C}$ a $25\text{ }^{\circ}\text{C}$.

Debido a la tolerancia mecánica de los termostatos, siempre se debe controlar la temperatura durante el enfriamiento.

Preparación

Verifique que el enchufe del aparato, se ajuste a su tipo de toma de corriente. Si no son compatibles, haga que un electricista calificado ajuste el enchufe del aparato. Este aparato debe estar conectado a tierra.

Conecte el aparato al estabilizador de voltaje y luego conecte el estabilizador de voltaje a la toma de corriente.

Regulación de la temperatura

Este aparato está equipado con 1 termostato. Véanse las figuras 6 y 7

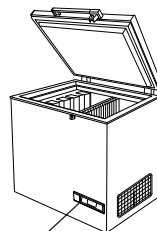


Fig 7

El termostato es un termostato mecánico que controla la temperatura wven el compartimiento para vacunas y en el de congelación de bolsas de hielo. /D posición 1 aplica el frío mínimo y la posición 8 aplica el frío máximo.

Carga del aparato

Carga del vacunas

Cuando la temperatura en el congelador se haya estabilizado, es decir, la temperatura se encuentre entre $-15\text{ }^{\circ}\text{C}$ y $25\text{ }^{\circ}\text{C}$ y el compresor se apague y se encienda, se podrán cargar las vacunas.

Deberían colocarse las vacunas en la parte intermedia.

Carga y congelación de bolsas de hielo

Deberían colocarse las bolsas de hielo en el compartimiento de bolsas de hielo y la bandeja suspendida. Asegúrese de tener un buen contacto entre la bolsa de hielo y la superficie del evaporador. Figura 8.

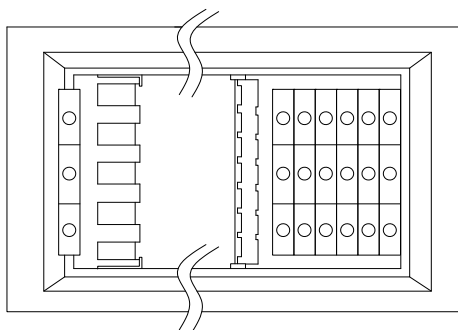


Fig 8

Si se ha ajustado el termostato a una posición más caliente, recuerde comprobar la temperatura del compartimento de vacunas.

Descongelación y limpieza

Para que el aparato funcione bien y para ahorrar energía, es importante que se lo limpie y descongele periódicamente.

Al abrir el aparato, entra la humedad y se deposita en las superficies frías interiores y forma una capa de escarcha o hielo. La capa de hielo resta eficiencia al congelador y es necesario eliminarla, "descongelarla".

Se recomienda descongelar el aparato cada tres meses.

Descongelación

Proceda de la siguiente manera:

1. Antes de descongelar el aparato es necesario trasladar las vacunas a otro congelador en funcionamiento o a una nevera portátil con paquetes de hielo.
2. Apague el aparato y desconecte el enchufe.
3. Abra los tapones de drenaje. Uno se encuentra en el interior del compartimento
4. Coloque una bandeja debajo del desagüe de agua.
5. Coloque un recipiente de agua caliente (pero no hirviendo) en el congelador, cierre la tapa y espere unos 30 minutos antes de quitar la escarcha suelta con el raspador plástico.

6. Para evitar que el agua dañe el piso durante la descongelación, es recomendable revisar la bandeja de agua de vez en cuando y cubrir el piso alrededor del desagüe para protegerlo contra el hielo y salpicaduras. Cuando toda la escarcha y el hielo se haya derretido, limpie el gabinete interior, así como la tapa, la junta de la tapa y fuera del aparato usando agua con un detergente suave y sin perfume.
7. Seque el congelador con un paño suave y asegúrese de que no quede humedad después de la limpieza.
8. Vuelva a insertar los tapones de drenaje interno y externo, y verifique que la empaquetadura de la tapa no esté defectuosa.
9. Encienda el aparato y asegúrese de que esté congelando (la temperatura disminuye)
10. Verifique que los paquetes de agua no estén goteando antes de devolverlos al compartimiento del congelador. Coloque los paquetes de agua según las instrucciones, aprox. 5 minutos después de haber encendido el congelador. Cierre la tapa.
4. Limpie el exterior del aparato con una mezcla de agua tibia y detergente suave o jabón.
5. Cierre la tapa y siga los procedimientos indicados en la sección "Enfriamiento del aparato"

Limpieza

1. Será necesario limpiar el aparato después que éste se descongele.
2. Limpie el interior del aparato con una mezcla de agua tibia y detergente suave.
3. Deje que las partes limpias sequen completamente.

Corrección de fallos

Fallo	Causa posible	Solución
El compresor no está en funcionamiento, y los paquetes de hielo no están fríos	Espere, lo más probable es que el compresor vuelva a funcionar a los pocos minutos.	Si esto no sucediera, compruebe lo siguiente: <ul style="list-style-type: none"> - Compruebe que esté conectada la alimentación eléctrica, y que el cable que va del panel solar al aparato esté intacto. - Controle el fusible, y cámbielo si es necesario. - Si todo lo arriba indicado está bien, llame a su supervisor técnico.
El compresor está en funcionamiento, y la temperatura es demasiado alta	<p>La rejilla de ventilación está bloqueada.</p> <p>La tapa no está cerrada debidamente.</p> <p>El ventilador dentro del aparato está bloqueado o defectuoso.</p> <p>El ventilador dentro del compresor está bloqueado o defectuoso.</p> <p>La temperatura del local donde se ha instalado el aparato es demasiado alta.</p>	<p>Verifique que no haya obstrucciones para la circulación del aire.</p> <p>Verifique que la tapa esté debidamente cerrada.</p> <p>Controle que el ventilador esté en funcionamiento, de lo contrario debería cambiarse. Véase la sección: Servicio</p> <p>Controle que el ventilador esté en funcionamiento, de lo contrario debería cambiarse. Véase la sección: Servicio</p> <p>Proteja el aparato de la luz solar directa, y asegúrese de que el local esté más ventilado.</p>
No se indica ninguna temperatura en la pantalla	<p>El termómetro solar no funciona</p> <p>No hay suficiente luz para el sensor solar.</p>	<p>Cambie el termómetro solar.</p> <p>Enciende la luz</p>

Garantía, repuestos y servicio

Exclusiones de la Garantía

Fallos y daños causados directa o indirectamente por uso erróneo o indebido, mantenimiento insuficiente, integración o instalación erróneos o conexiones eléctricas defectuosas. Incendio, accidente, rayos, variaciones de voltaje u otras interferencias eléctricas, incluidos fusibles defectuosos o fallos en las instalaciones de suministro eléctrico.

La Garantía no cubre reparaciones realizadas por centros de servicio distintos de los autorizados, ni aquellos fallos y daños que el fabricante demuestre que se deben a causas distintas a defectos de fabricación o de materiales.

Por favor, tenga en cuenta que los cambios en la construcción del aparato o en sus componentes cancelarán esta Garantía y la responsabilidad de producto, y no podrá utilizarse el aparato legalmente. También quedará cancelada la autorización concedida en la placa de datos de servicio.

Los daños ocurridos durante el transporte y descubiertos por el comprador son principalmente un asunto a resolver entre el comprador y el distribuidor, es decir, que el distribuidor debe asegurarse de que se resuelvan las quejas a satisfacción del comprador.

Antes de llamar solicitando asistencia técnica, por favor intente resolver el fallo Ud. mismo (vea Localización de Fallos). Si su solicitud de asistencia técnica es injustificada, por ejemplo, si el electrodoméstico ha fallado como resultado de un fusible fundido o por un uso erróneo, deberá abonar los costes incurridos con su llamada de solicitud de asistencia técnica.

Repuestos

Al hacer pedidos de repuestos, le sugerimos indicar el tipo y los números de serie y de producto del electrodoméstico. Esta información aparece en la placa de identificación del fabricante colocada en la parte trasera del electrodoméstico. La placa del fabricante contiene diversa información técnica, incluido el tipo de aparato y el número de serie.



Fig 9

Lista de piezas de repuesto

Posición	Código de artículo	Nombre del artículo
0061	0-6538001	Filtro secadero
0070	A921001	Cubierta + sujetador de cable
0071	A921115	Cuerpo de arranque, 103N0021
0087	0-6038175	Placa base accesoria, complete
0129	8-036038255	Compressor - NLE 9KTK , Completa, R600a
0550	6520317	Condensador de servicio-4µF
0899	7020983	Palpador
3125	3010457	Soporte de tubo
5000	3010049	Salida de agua de deshielo
5002	6000959	Ficha de pie
5057	6010084	Condensador
5108	5000917670	Tapa espumada sin manija/charnela
5375	6000965	Separador, completo
5376	5020105	Tapa para el compartimiento de congelación
5377	3020245-23	Manija
5401	1510133	Charnela
5402	1510136	Charnela con la primavera
5450	3011135-01	Cobertura charnela,parte alta
5451	3010032-01	Cobertura charnela,parte baja
5605	304090501	Manija con cerradura
5606	8090342-94	Cuerpo de manija,
5682	1510046	Llaves, 2 piezas
5683	2040145	Gancho de manija
5684	3010265-01	Cubierta
5685	600098801	Cilindro de cerradura con llaves
5707	7020248	Estabilizador de voltaje
5710	7020239	Termòstato, congelaciòn
5713	7020960	Sensor NTC S1, Cool
5738	7010027	Control de eléctrica, verde
5756	7020164	Termómetro
5771	3010051-01	Botón de termostato
5783	3040146	Panel de control
5870	6000308	Ventilador
5901	353090001	Cesta con manija, blanco
5902	3010107-01	Manija suelta de cesta
5970	3010308-01	Pantalla de motor
6553	7535360	Línea de conexión, Schuko, 3G1/2600

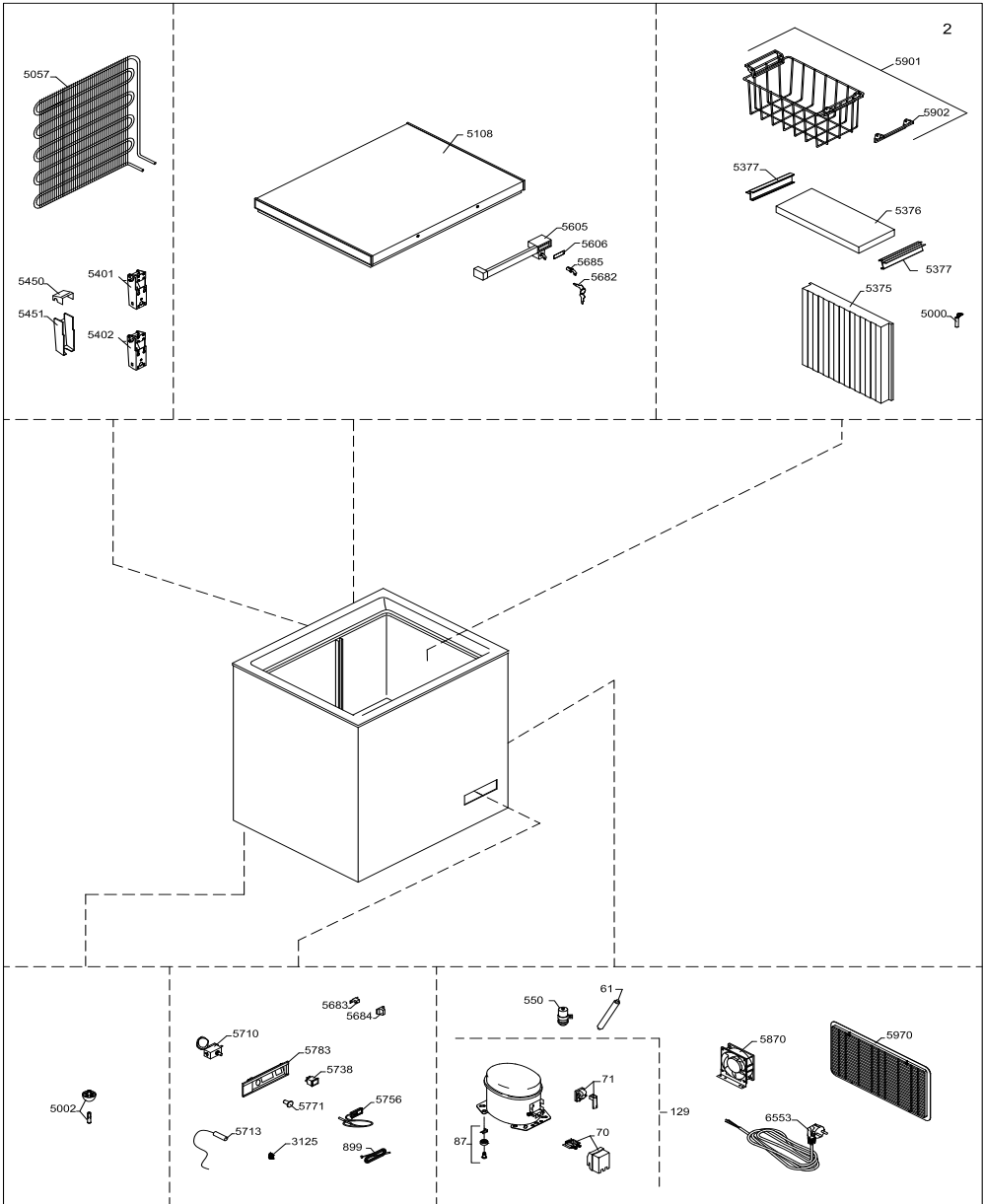
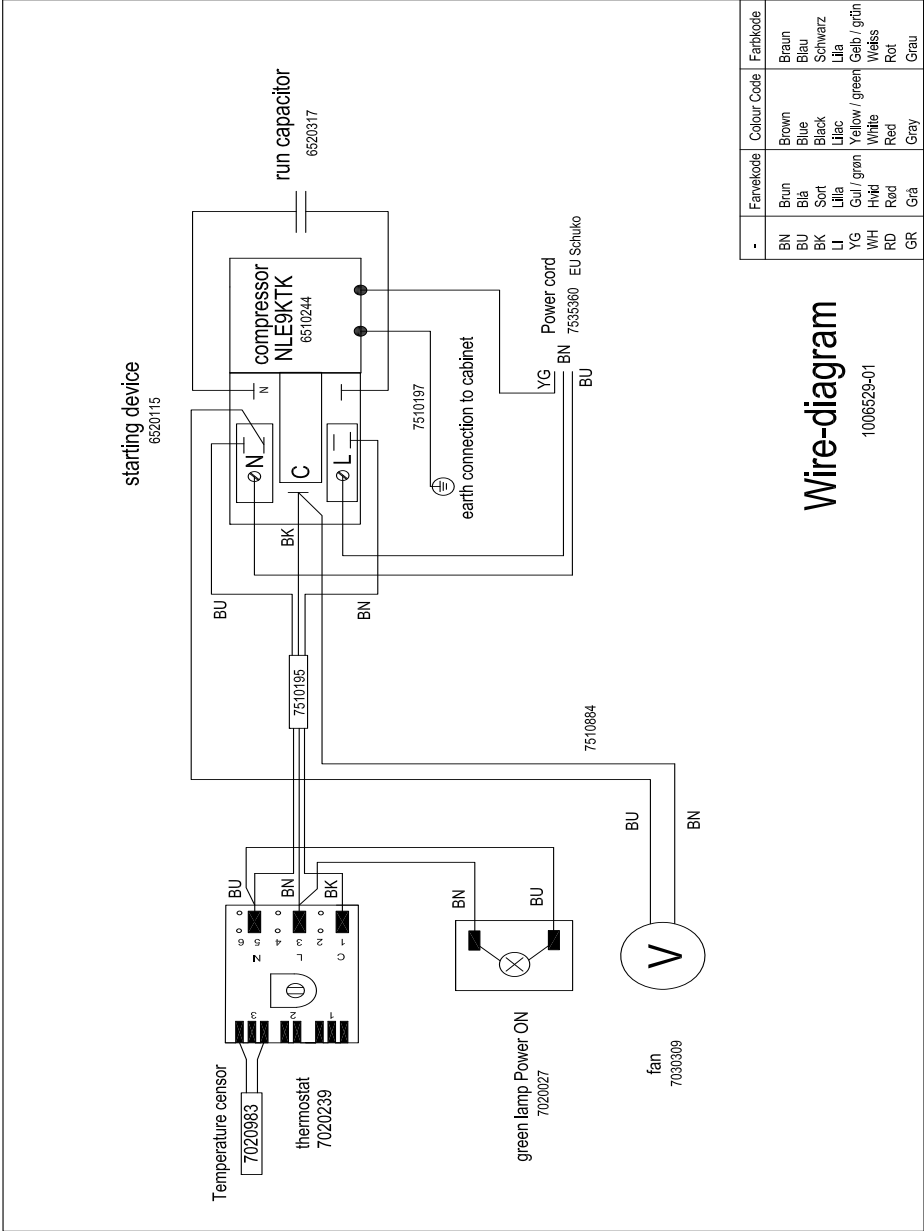


Diagrama de alambre



Farbeleite	Colour Code	Farbkode
BN	Brown	Braun
BU	Blue	Blau
BK	Black	Schwarz
LI	Lilac	Lila
YG	Yellow / green	Gelb / grün
WH	White	Weiss
RD	Red	Rot
GR	Gray	Grau

Wire-diagram

1006529-01

Eliminación de electrodomésticos

Información para Usuarios sobre la Recolección y Eliminación de aparatos viejos y baterías usadas.



Estos símbolos en los productos, embalajes y/o documentos adjuntos, significan que los aparatos eléctricos y electrónicos y las baterías no deberían ser mezclados con los desechos domésticos. Para el tratamiento apropiado, la recuperación y el reciclado de aparatos viejos y baterías usadas, por favor, observe las normas de recolección aplicables, de acuerdo a su legislación nacional y a las Directivas 2012/19/EU y 2006/66/EC.

Al desechar estos aparatos y baterías correctamente, Usted estará ayudando a preservar recursos valiosos y a prevenir cualquier potencial efecto negativo sobre la salud de la humanidad y el medio ambiente que, de lo contrario, podría surgir de un manejo inapropiado de los residuos.

Para mayor información sobre la recolección y el reciclado de aparatos y baterías viejos, por favor, contacte a su comunidad local, su servicio de eliminación de residuos o al comercio donde adquirió estos aparatos. Podrán aplicarse penas por la eliminación incorrecta de estos residuos, de acuerdo a la legislación nacional.



Para usuarios empresariales en la Unión Europea

Si usted desea descartar aparatos eléctricos y electrónicos, por favor contacte a su distribuidor o proveedor a fin de obtener mayor información.

[Información sobre la Eliminación en otros Países fuera de la Unión Europea]

Estos símbolos sólo son válidos dentro de la Unión Europea. Si desea desechar este producto, póngase en contacto con las autoridades locales o con su distribuidor para que le informen sobre el método correcto de eliminación.

Nota sobre el símbolo de la batería:



Este símbolo puede ser usado en combinación con un símbolo químico. En este caso, el mismo cumple con los requerimientos establecidos por la Directiva para los químicos involucrados

Меры предосторожности

Поскольку данное изделие содержит углеводородный хладагент, соблюдайте указания, приведенные ниже

Количество хладагента и тип, используемого в вашем изделии, указано на табличке с паспортными данными.

Стандартом EN378 регламентируется, что помещение, в котором вы устанавливаете изделие, должно иметь объем 1 м³ на 8 г углеводородного хладагента, используемого в устройстве. Это требование имеет своей целью избежать образования горючей газо-воздушной смеси в помещении, где находится изделие, в случае нарушения герметичности контура хладагента.

ОСТОРОЖНО: Следите за тем, чтобы вентиляционные отверстия в шкафу изделия или встроенной конструкции оставались открытыми

ОСТОРОЖНО: Для ускорения процесса размораживания не разрешается использовать

никаких механических предметов или других средств, кроме рекомендованных изготовителем

ОСТОРОЖНО: Оберегайте контур хладагента от повреждений

ОСТОРОЖНО: Не используйте электрические приборы внутри охлаждаемого отсека хранения, исключая устройства рекомендованного изготовителем типа

ОСТОРОЖНО: Не оставляйте изделие под дождем

ОСТОРОЖНО:

Дети до 8 лет, лица с ограниченными физическими, умственными и психическими возможностями, а также лица, не обладающие достаточными знаниями о приборе, могут использовать прибор только под присмотром лиц, ответственных за их безопасность, или после подробного инструктажа и осознания всех опасностей, связанных с эксплуатацией прибора.

ОСТОРОЖНО:

Детям не разрешается играть с

прибором.

ОСТОРОЖНО:

Очистка и обслуживание прибора не должны производиться детьми, это допустимо, только если они старше 8 лет и их контролируют взрослые.

ОСТОРОЖНО:

Оберегайте контур хладагента от повреждений.

ОСТОРОЖНО:

Не храните взрывоопасные вещества, такие как аэрозольные баллоны с горючей топлива в этом приборе.



ОСТОРОЖНО:

Есть опасность опасность пожара или взрыва легковоспламеняющихся хладагента используется. Должен только быть отремонтированы специально обученным персоналом.

ОСТОРОЖНО:

При установке аппарата убедитесь, что шнур питания не заземлен или не поврежден.

ОСТОРОЖНО:

Не размещайте блок переносных розеток или переносные источники питания на задней панели устройства.

ОСТОРОЖНО:

В приборе используется горючий изолирующий продувочный газ. За информацией о безопасной утилизации обращайтесь в местную службу утилизации. См. Раздел «Утилизация».

Содержание

Меры предосторожности.....	2
Ознакомьтесь со своим холодильником.....	5
Общие сведения	6
Распаковка и установка.....	6
Стабилизаторы напряжения	7
Электрическое подключение	7
Охлаждение ларя	8
Регулировка температуры.....	8
Загрузка ларя.....	9
Размораживание и мойка.....	9
Поиск и устранение неисправностей	11
Гарантия, запасные части и сервис	12
Утилизация.....	16

Ознакомьтесь со своим холодильником

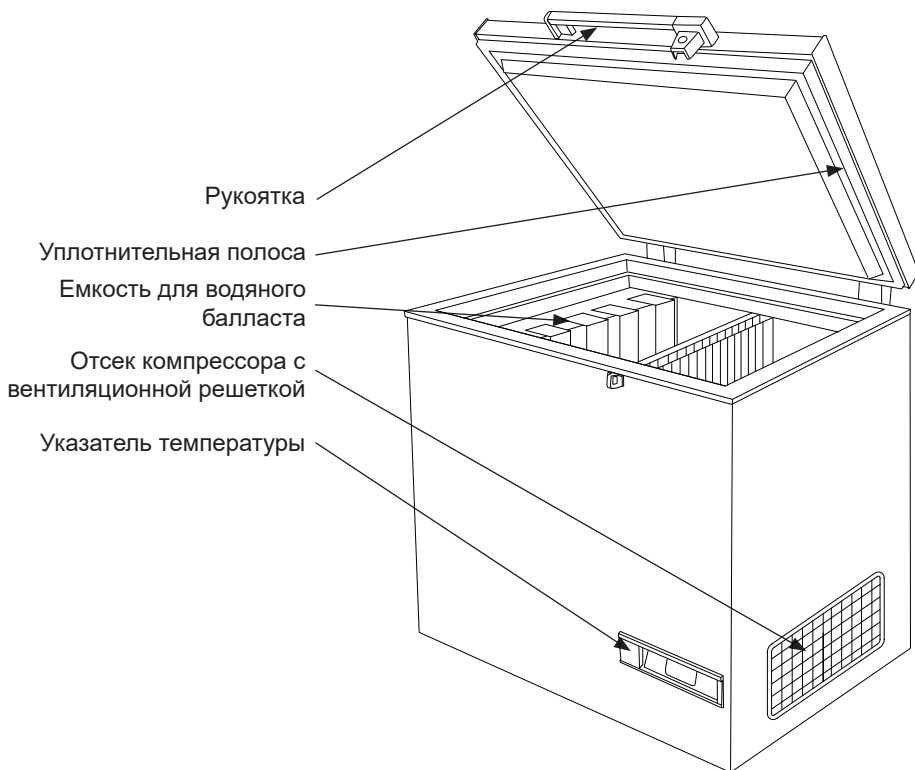


Рис. 1

PQS Code	Model	PQS Performance specifications Specification reference:	PQS Independent type-testing protocol Product verification protocol:
E003/024	MF 114	E003/FZ01.2	E003/FZ01-VP.2

Общие сведения

Модель MF представляет собой морозильный ларь для хранения вакцины и замораживания аккумуляторов холода. Он имеет два отсека; один отсек для хранения вакцины и другой для замораживания аккумуляторов холода.

Электропитание

Морозильный ларь MF для вакцин оснащен мощным компрессором, способным работать при падении напряжения на 22% ниже номинального напряжения. См. табличку с техническими данными. При более сильных колебаниях напряжения рекомендуется пользоваться автоматическим стабилизатором напряжения.

Табличка с паспортными данными содержит различную техническую информацию, а также модель и серийный номер.

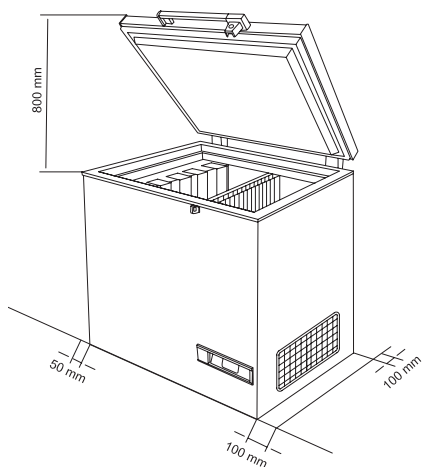


Рис. 2

ПРИМЕЧАНИЕ: Необходимо обеспечить свободный доступ к вентиляционной решетке .

Распаковка и установка

Распаковка

1. Распакуйте устройство и проверьте его на наличие повреждений. При обнаружении каких-либо повреждений, сообщите об этом руководству.
2. Сравните данные таблички с напряжением и частотой вашей сети.
3. Извлеките из устройства внутренний упаковочный материал.

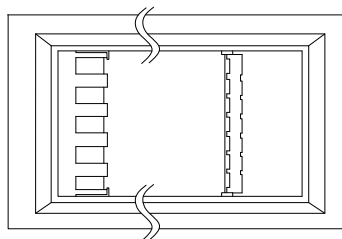


Рис. 3

Установка

Ларь должен быть установлен в хорошо проветриваемом помещении, в защищенном от прямых солнечных лучей месте и в отдалении от других источников тепла.

Убедитесь, что ларь стоит на полу ровно. Расстояние между стеной помещения и задней и левой сторонами ларя должно составлять не менее 50 мм, а расстояние между стеной и правой стороной ларя - не менее 100 мм. Рис. 2

Если в помещении находятся другие холодильники или морозильники, то они должны размещаться на расстоянии как минимум 200 мм друг от друга. Между дном изделия и полом должен быть зазор не менее 30 мм.

Стабилизаторы напряжения

Настоятельно рекомендуется, чтобы все оборудование холодильной цепи, работающее от переменного тока, было установлено с подключением стабилизатора напряжения, чтобы защитить оборудование от колебаний напряжения.

Стабилизаторы следует выбирать и устанавливать в соответствии с имеющимися параметрами

входного напряжения.

Инструкции для пользователя:

Каждый холодильный агрегат должен быть подключен к отдельному стабилизатору.

Не рекомендуется обход стабилизатора, так как такая практика может привести к повреждению оборудования холодильной цепи и, в свою очередь, поставит под угрозу безопасность вакцин, следовательно, этого следует избегать.

Должно быть доступно и подключено правильное заземление.

Обратите внимание на необходимость немедленного восстановления рабочего состояния стабилизаторов. В случае необходимости оказания технической помощи, следует связаться с уполномоченным поставщиком услуг Vestfrost.

Стабилизатор напряжения также снабжен устройством для отключения выходного напряжения на рефрижератор с ледовой обшивкой в случае, если напряжение сети падает ниже или выше заданного диапазона входного напряжения. Выходное напряжение автоматически восстанавливается после установленной на заводе задержки от 3 до 6 минут (спецификации WHO/PQS E007/VS01.4), когда напряжение сети находится и остается в пределах рекомендуемого диапазона.

Электрическое подключение

Urządzenie spełnia wymogi właściwych dyrektyw UE, w tym Dyrektywy niskonapięciowej 2014/35/EU oraz Dyrektywy o kompatybilności elektromagnetycznej 2014/30/EU.

Электрическое подключение всегда должно быть сделано в соответствии с местными правилами.

Прибор должен быть подключен к 220/240V 50Hz Гц переменного тока через правильно установленную заземленную розетку. Розетка должна быть слиты с 10-13A предохранителя.

Если прибор должен работать в неевропейской стране, проверить на табличке, соответствует ли напряжение питания и переменного тока типа с указанием вашего питания.

Информация о напряжении, ток или мощность приведены на табличке

Данные отношении напряжения и потребляемой мощности / тока приведены на табличке.

Подключите аппарат к стабилизатору напряжения и подключите стабилизатор напряжения к настенной розетке. (Рис. 4 + 5)

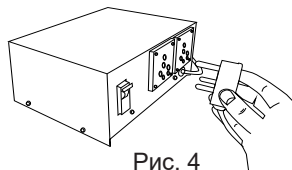


Рис. 4

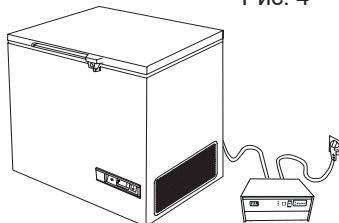


Рис. 5

Охлаждение ларя

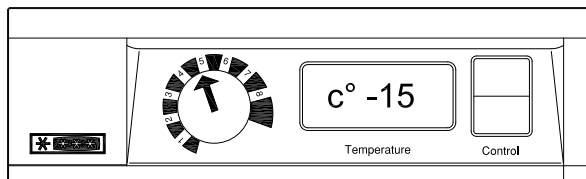


Рис. 6

Перед загрузкой в ларь вакцин убедитесь в том, что температура ниже -15°C :

- Установите термостат в положение 5
- Проверьте температуру по термометру
- Если температура в отсеке хранения вакцины выше -15°C , следует отрегулировать термостат. Температуру в отсеке для вакцины необходимо постоянно проверять при помощи термометра. Она должна находиться в пределах от -15 до -25°C .

В связи с технологическим допуском на работу термостата следует всегда контролировать температуру во время охлаждения.

Регулировка температуры

Этот ларь оснащен одним термостатом. См. рис. 6 и рис. 7

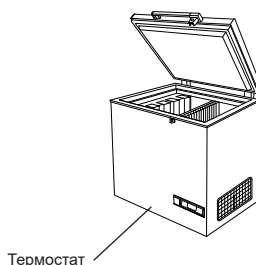


Рис. 7

Применяемый электронный термостат поддерживает температуру в отсеках хранения вакцины и замораживания аккумуляторов холода. В положении 1 охлаждение минимальное, в положении 8 – максимальное.

Загрузка ларя

Загрузка вакцинами

После того как температура в морозильном ларе стабилизируется, т.е. станет ниже $-15\text{...}-25^{\circ}\text{C}$, и компрессор остановится и вновь заработает, можно загружать вакцины. Вакцины следует размещать в средней части.

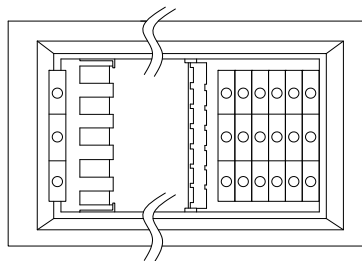


Рис. 8

Загрузка и замораживание аккумуляторов холода

Аккумуляторы холода размещаются в отсеке аккумуляторов холода и подвесном поддоне. Убедитесь в наличии хорошего контакта между аккумулятором холода и поверхностью испарителя. Рис. 8

Размораживание и мойка

Чтобы ларь хорошо работал и обеспечивал экономию энергии, его необходимо мыть и размораживать.

Когда вы открываете ларь, в него падает влага и оседает на холодных внутренних поверхностях, образуя слой инея или льда.

Слой льда делает работу морозильного ларя менее эффективной и подлежит удалению путем размораживания.

Рекомендуется размораживать ларь раз в 3 месяца.

Если термостат настроен на более высокую температуру, не забудьте проверить температуру в отсеке хранения вакцины

Размораживание

1. Перед размораживанием следует переложить вакцины вместе с аккумуляторами холода в другой работающий морозильный ларь или холодильную камеру.
2. Выключите ларь и полностью отключите его от сети.
3. Вытащите дренажные пробки. Одна находится внутри морозильной камеры отсек.
4. Поместите поддон под водоотвод талой воды.
5. Поставьте чашку горячей (но не кипящей) воды в морозильник, закройте крышку и подождите около 30 минут до того, как снимать неплотный слой снега с помощью пластикового скребка.
6. Чтобы вода не повредила пол во время размораживания, рекомендуется время от времени проверять поддон под водоотводом и накрыть пол вокруг водоотвода талой воды для защиты от льда и брызг. Когда весь снег и лед растают, очистите внутренние поверхности камеры, а также крышку, прокладку

крышки и внешние поверхности камеры, используя раствор воды с мягким детергентом без запаха.

7. Вытрите насухо морозильник мягкой тканью и убедитесь, чтобы после чистки не осталось влаги.
8. Вставьте на место дренажные пробки внутри морозильной камеры и на внешней поверхности, и проверьте исправное состояние прокладки крышки.
9. Включите прибор и убедитесь, что он замерзает (температура снижается)
10. Проверьте, не текут ли емкости с водой, прежде чем возвращать их в морозильную камеру. Поместите емкости с водой согласно инструкциям, прикл. через 5 минут после включения. Закройте крышку.

Мойка

1. После размораживания ларь следует вымыть.
2. Ларь моется изнутри раствором неагрессивного моющего средства в теплой воде.
3. Вымытые части должны полностью высохнуть.
4. Ларь моется снаружи раствором неагрессивного моющего средства или мыла в теплой воде.
5. Закройте крышку и выполните действия, описанные в подразделе "Охлаждение ларя" на стр. 7

Поиск и устранение неисправностей

Неисправность	Возможная причина	Способ устранения
Компрессор не работает, и ледяные кассеты не холодные	Не проявляйте нетерпения, скорее всего компрессор запустится в течение ближайших минут.	В противном случае выполните следующие проверки: <ul style="list-style-type: none"> - Убедитесь в том, что питание подключено и провод, идущий от солнечной панели к изделию, не поврежден. - Проверьте плавкий предохранитель и замените его при необходимости. - Если указанные выше действия не дали результата, вызовите технического специалиста.
Компрессор работает, и температура слишком высока	<p>Засорена вентиляционная решетка.</p> <p>Крышка не закрыта надлежащим образом.</p> <p>Вентилятор внутри изделия заклинило или он вышел из строя.</p> <p>Вентилятор в отсеке компрессора заклинило или он вышел из строя.</p> <p>Температура помещения, в котором установлено изделие, слишком высока.</p>	<p>Обеспечьте нормальную циркуляцию воздуха.</p> <p>Закройте крышку надлежащим образом.</p> <p>Проверьте работу вентилятора. Если вентилятор не работает, его необходимо заменить. См. раздел: Сервис</p> <p>Проверьте работу вентилятора. Если вентилятор не работает, его необходимо заменить. См. раздел: Сервис</p> <p>Защитите изделие от падения на него прямых солнечных лучей и улучшите вентиляцию в помещении.</p>
Температура не отображается	Солнечный термометр не работает.	Замените солнечный термометр.

Гарантия, запасные части и сервис

Отказ от гарантийных обязательств

Поломки и повреждения, обусловленные напрямую или косвенно несоблюдением правил эксплуатации, использованием не по назначению, неудовлетворительным техническим обслуживанием, неправильным механическим или электрическим монтажом. Пожары, аварии, удары молнии, перепады напряжения или другие электрические нарушения, включая дефектные плавкие предохранители или неисправности питающей сети.

Следует иметь в виду, что внесение изменений в конструкцию изделия или комплектацию изделия ведет к аннулированию гарантии и ликвидации ответственности за качество изделия, а само изделие нельзя будет эксплуатировать законно. Сертификация, указанная на табличке с паспортными данными, также станет недействительной. Вопросы, связанные с транспортными повреждениями, обнаруженными покупателем, как правило, решаются между покупателем и дистрибьютором, т.е. дистрибьютор обязан удовлетворить претензии покупателя.

Прежде чем обращаться к специалистам за оказанием технической помощи, выясните, не можете ли вы устранить неисправность самостоятельно. Если на ваше обращение за оказанием помощи гарантия не распространяется, например, если изделие вышло из строя в результате перегорания плавкого предохранителя или нарушения правил эксплуатации, вам будет выставлен счет, исходя из расходов на оказание технической помощи.

Запасные части

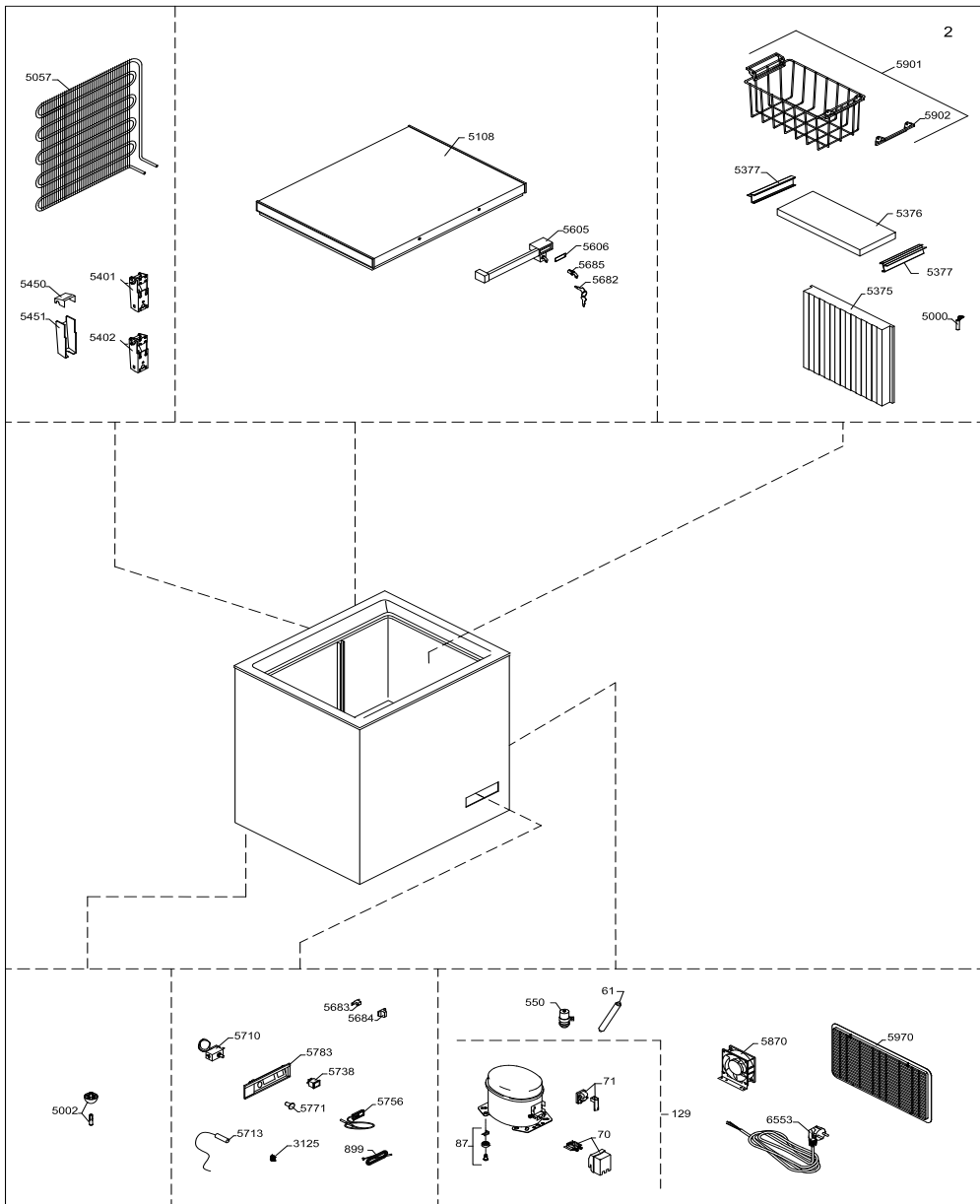
При заказе запасных частей укажите тип, Продукт и заводской номера вашего изделия . Эта информация приведена на табличке с паспортными данными на задней стенке изделия. Табличка с паспортными данными содержит различную техническую информацию, включая тип и серийные номера.

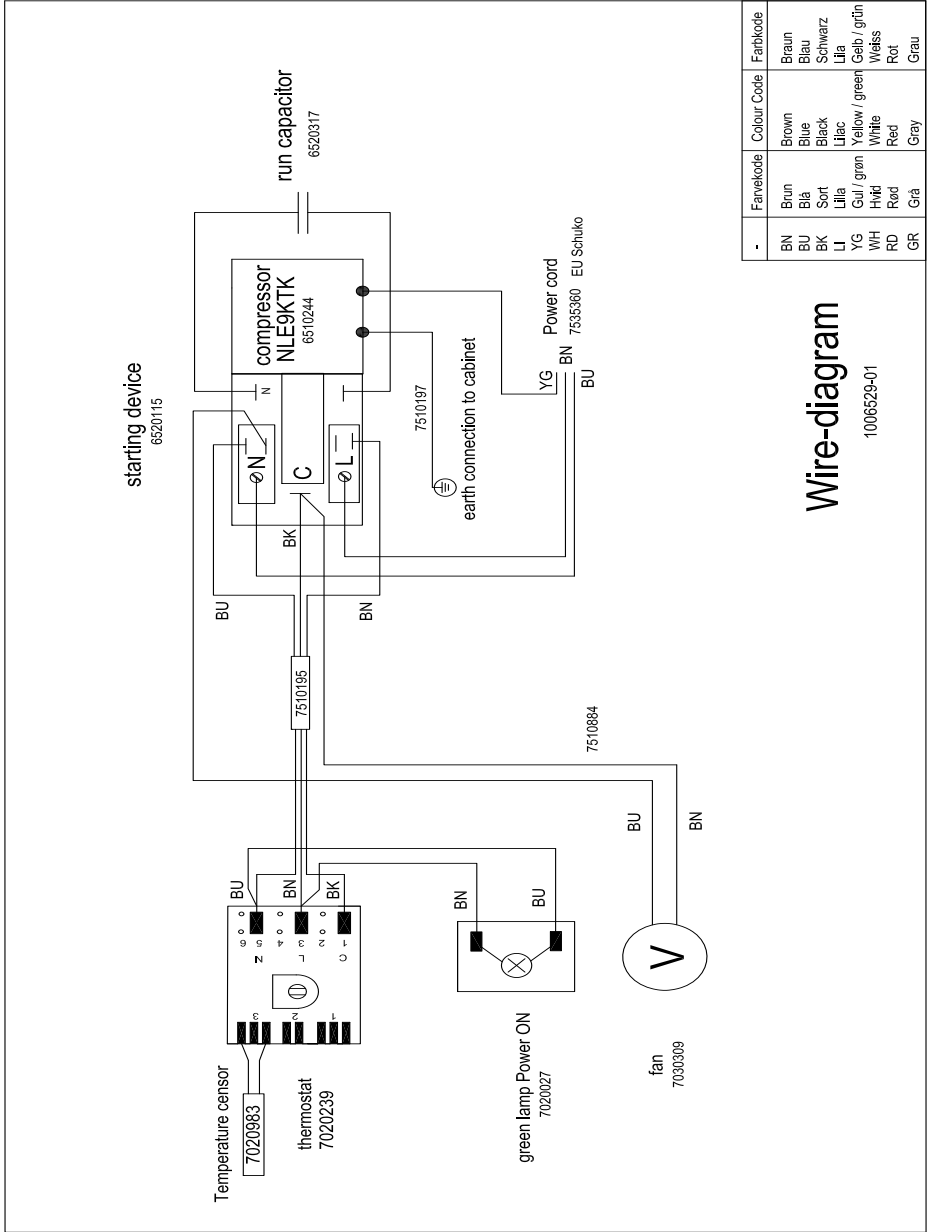
Примечание: При необходимости ремонта или замены вашего изделия обращайтесь только в официальные сервисные центры!



Рис. 9

<u>Позиция</u>	<u>Код номенклатуры</u>	<u>Наименование номенклатуры</u>
0061	0-6538001	Фильтр-осушитель,
0070	A921001	Крышка + зажим проводки
0071	A921115	Пусковое устройство
0087	0-6038175	Основание арматура, набор, полный
0129	8-036038255	Компрессор - NLE 9KTK
0550	6520317	Операционный конденсатор-4μF
0899	7020983	Датчик
3125	3010457	Держатель трубы
5000	3010049	Сливная пробка
5002	6000959	Основание со штырьком
5057	6010084	Конденсатор
5108	5000917670	Крышка с пенополимером без ручки/нав
5375	6000965	Перегородка, в сборе
5376	5020105	Крышка отсека для быстрого заморажив
5377	3020245-23	обрабатывать
5401	1510133	шарнир
5402	1510136	Петля с пружиной
5450	3011135-01	Верхняя часть крышки навески
5451	3010032-01	Нижняя часть крышки навески
5605	304090501	Ручка с замком
5606	8090342-94	ручки
5682	1510046	Ключ, комплект - 2шт.
5683	2040145	Фиксатор для ручки
5684	3010265-01	Крышка для фиксатора
5685	600098801	Замок с ключами
5707	7020248	Стабилизатор напряжения
5710	7020239	Термостат
5713	7020960	Датчик NTC S1, охлаждение
5738	7010027	Контрольная лампа, зеленая
5756	7020164	Термометр, солнечный
5771	3010051-01	Ручка термостата
5783	3040146	Панель управления
5870	6000308	Вентилятор
5901	353090001	Корзина с ручкой
5902	3010107-01	ручка для корзины
5970	3010308-01	Решетка двигателя
6553	7535360	Сетевой шнур, Schuko, 3G1/2600





starting device
6520115

run capacitor
6520317

compressor
N1E9KTK
6510244

Temperature sensor
7020983

thermostat
7020239

green lamp
702027
Power ON

fan
7030309

earth connection to cabinet

Power cord
7535360 EU Schuko

Wire-diagram

10006529-01

Farvekode	Colour Code	Farbkode
BN	Brown	Braun
BU	Blue	Blau
BK	Black	Schwarz
LI	Lilac	Lila
YG	Yellow / green	Gelb / grün
WH	White	Weiss
RD	Red	Rot
GR	Gray	Gray

Утилизация

Информация за събиране и изхвърляне на стари електроуреди и батерии



Тези символи, поставени на продуктите, опаковките и/или съпътстващите ги документи обозначават електронни уреди, които не трябва да бъдат изхвърляни заедно с потока битови отпадъци. За да бъдат правилно третирани и рециклирани, моля да предадете тези продукти на специално предназначени за тази цел места, спазвайки разпоредбите на националното законодателство и европейските директиви 2012/19/EU и 2006/66/EC.

Спазвайки инструкциите за правилното изхвърляне на такива уреди и батерии, вие ще помогнете да запазим ценни ресурси и да предотвратим възможни негативни ефекти върху човешкото здраве и околната среда. Моля, обърнете се към местните общински власти или търговския обект, откъдето сте закупили продукта, за да получите допълнителна информация за най-близкия събирателен пункт или място за изхвърляне на стари електроуреди и батерии.

При неправилно изхвърляне на уреда, може да понесете наказателна отговорност, в съответствие с разпоредбите на националното законодателство.



За бизнес потребители в Европейския Съюз

Ако желаете да изхвърлите ненужни електроуреди, моля свържете се с вашия дилър или доставчик за повече информация.

Информация за страни извън Европейския Съюз

Тези символи са валидни само в рамките на Европейския Съюз. За информация относно правилно изхвърляне на такива отпадъци потърсете местните органи на властта или дилъра си.

Забележка за символите върху батерии :



Тези символи могат да бъдат използвани заедно с химически символ. В такъв случай те спазват изискванията, определени от директива за съответния химикал.

警告

由于本产品含有碳氢制冷剂，请参阅下面列出的准则。

铭牌上标明了您的电器中使用的制冷剂的数量和类型。

标准EN378指定在其中您安装设备的房间必须有每8克的电器使用碳氢制冷剂的1立方米的体积。这是为了避免可燃气体/空气混合物在房间里的设备位于的在制冷剂回路泄漏的事件的形成。在您的设备中使用的制冷剂的量标在铭牌上。

- 钥匙应始终放置在一个单独的，儿童无法接触的地方。
- 服务或清洗设备之前应拔掉电源，或切断电力供应。
- 如果电源线损坏，必须由制造商，其服务代理人，或类似的合格人员更换，以避免危险。
- 内蒸发器壁和上部结霜是自然现象。因此，设备在正常清洗或维修时应解冻。
- 请注意，更改设备的结构将取消所有担保和产品责任。
- 本设备不适合体能，感官或智力削弱者（包括儿童），或者缺乏经验和知识者使用，除非有负责他们安全的人就本设备的使用给予监督或指导。儿童应有人监督，确保他们不玩弄设备。

警告：保持设备柜或内置结构通风口畅通无阻。

警告：不要使用制造商推荐之外的其它机械装置或其它手段加速解冻过程。

警告：不要损坏制冷系统。

警告：不要在冷藏室内使用电器，除非是制造商推荐的那种。

警告：不要将设备暴露在雨中。

警告：本产品不适合年幼的孩子使用，除非他们已由负责人员监督，确保他们能够安全使用本设备。

年幼的孩子应有人员监督，确保他们不玩弄设备。

警告：不要损坏制冷系统

警告：请勿将爆炸性物质，如喷雾罐，在此设备中的易燃推进剂。

警告：危险火灾或爆炸的危险。使用可燃性制冷剂。只能由经过培训的人员进行维修。

警告：请勿将爆炸性物质，如喷雾罐，在此设备中的易燃推进剂。



警告：定位电器时，确保电源线未被绊住或损坏。

警告：切勿在电器附近放置多个便携式电源插座或便携式电源。

警告：器具使用易燃的絕緣吹氣。有關安全處置的信息，請聯繫您當地的處置服務。請參閱“處置”部分。

警告 2

了解你的冰箱..... 4

一般资料..... 5

拆除包装和安装..... 5

稳压器 6

技术数据..... 6

设备降温..... 7

温度调节..... 7

装载设备..... 8

解冻和清洁..... 8

故障查寻..... 9

担保, 零件和服务..... 10

处理 14

PQS Code	Model	PQS Performance specifications Specification reference:	PQS Independent type-testing protocol Product verification protocol:
E003/024	MF 114	E003/FZ01.2	E003/FZ01-VP.2

了解你的冰箱

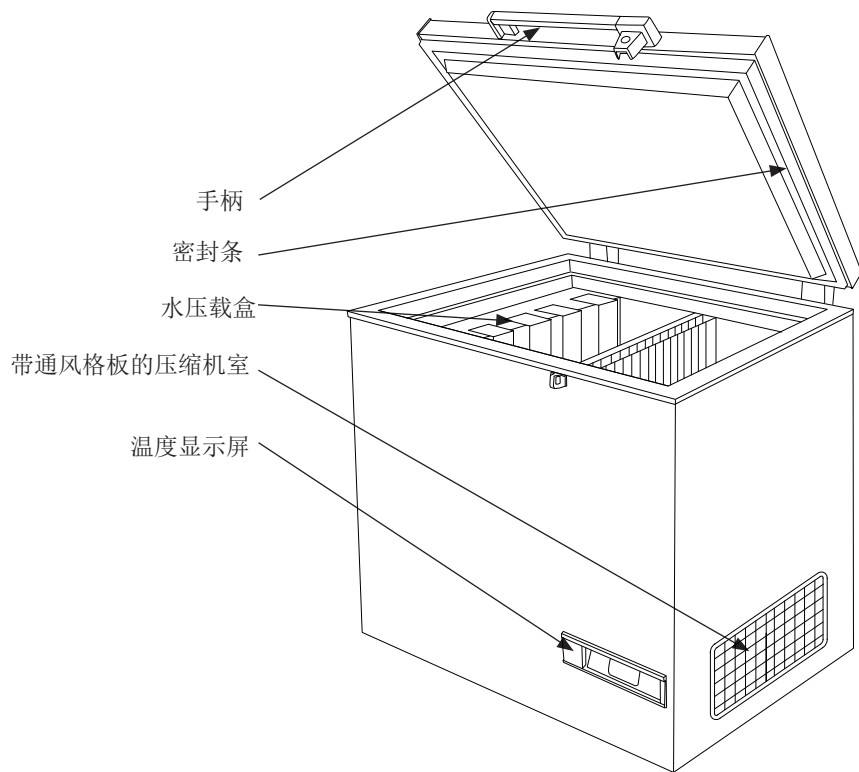


图 1

一般资料

MF型冰箱是一种疫苗储存和冰包冷冻冰箱。它有两个冷冻室；一个用于疫苗储存，一个用于冰包冷冻。

电源

MF疫苗冷冻机配备重型压缩机，可以在电压低于额定电压22%时操作。

见铭牌。如果电压变化超出这个范围，建议使用自动电压稳定器。

技术数据

本设备符合欧盟相关指令，包括欧洲经济共同体低电压设备2006/95指令，以及电磁匹配2004/108/EC指令。

铭牌上提供各种信息，以及型号和序列号。

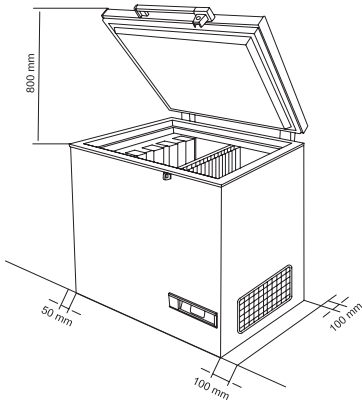


图 2

注意：格板应能自由接近，无阻碍。

拆除包装和安装

打开包装

1. 打开设备包装，检查设备是否受损。如果你发现任何损坏，请通知管理员。
2. 检查电压和频率。（第10页图6）
3. 打开并清除所有内部包装材料。

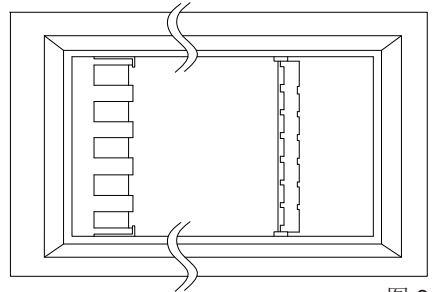


图 3

安装

本设备必须放置在通风良好的房间里，不受阳光直射，并远离其它热源。

将设备放置在地面上，确保其水平。墙壁和设备背面和左侧之间的距离必须至少50毫米，墙壁和设备右侧之间的距离必须至少100毫米。图 2

如果安装在有其它冰箱/冰柜的房间里，应确保设备之间的距离最少200毫米。

设备的基座和地面之间应有最少30mm的间隙。

电气连接

准备

本设备符合欧盟相关指令，包括欧洲经济共同体低电压设备2006/95指令，以及电磁匹配2004/108/EC指令。

铭牌上提供各种信息，以及型号和序列号。

本单元接通电源后安装在控制板上的绿色指示灯亮。

关于电压，电流或功率的信息在铭牌上给出。

制备

检查插头是否适合您的插座类型。如果不合适，请使用合格的电器来安装插头。该电器必须接地。

将电器连接至稳压器，并将稳压器连接至墙上插座。

插座必須融合與10A - 13A保險絲。

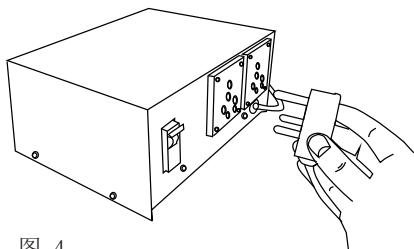


图 4

稳压器

电源系统中的布线与连接必须遵守所有适用的（地方和国家）电气规范。在安装机柜前，请查阅布线长度和尺寸。

本设备符合相关的欧盟指令，包括《低压指令 2014/35/EU》以及《电磁兼容性指令 2014/30/EU》。

插座应便于插拔插头。

只能将本电器通过正确安装的接地插座连接到 220/240V / 50Hz 的交流电源上。

插座必须配备 10-13 安培的保险丝。

如果在非欧洲国家使用本电器，请检查电器铭牌上面标明的电压和电流类型是否与主电源一致。

技术规格标牌标有电压、电流或功率相关信息

电源线只能由专业技师进行更换。

技术规格标牌上标有各种技术信息以及型号和序列号。

稳压器还可采用适当的配置，以在电源电压低于或高于设计的输入电压范围时将输出电压切断到 1LR。当电源电压达到并保持在推荐的范围内时，输出将在工厂设置的 3 到 6 分钟延迟（WHO/PQS E007/VS01.4 规格）后自动恢复。

将电器连接到稳压器，并将稳压器连接到墙壁插座。（图 4 + 5）

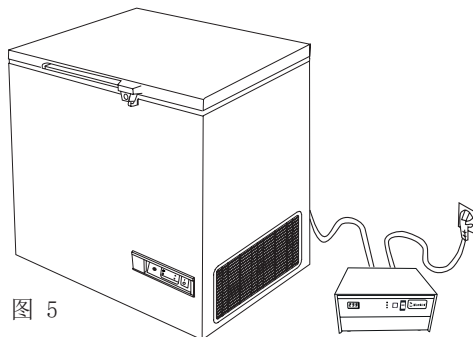


图 5

设备降温

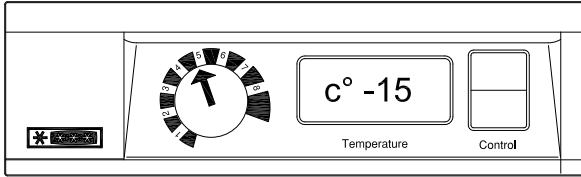


图 6

设备装载疫苗之前应确保温度低于 -15°C ：

- 将温度调节器设置在5。
- 检查温度计上的温度。
- 如果疫苗室内的温度在 -15°C 以上，应调整温度调节器。必须通过温度计始终监控疫苗室内的温度 在 -15 至 -25°C 范围内。

由于温度调节器有机械公差，因此降温过程中应始终控制温度调节器的温度。

温度调节

本设备配备有一个温度调节器。 见图3和图4

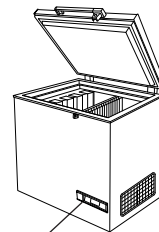


图 7

温度调节器是一种电子温度调节器，控制疫苗室和冰包冷冻室内的温度。

设置1用于最浅冷冻，设置8用于最深冷冻。

装载设备

装载疫苗

在冷冻机的温度稳定后，即温度低于-15至-25°C，压缩机停止和启动时可装载疫苗。疫苗应放置在存储室中间。

装载和冷冻冰包

冰包该放置在冰包室内的悬挂盘上（MF 214和MF 314）。确保冰包和蒸发器之间的表面接触良好。图 8。

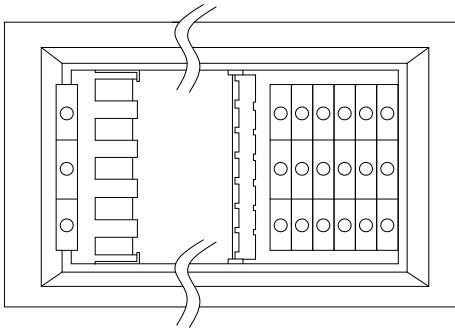


图 8

如果温度调节器设置在温度较高的位置，记住检查疫苗室内的温度。

解冻和清洁

为了设备操作良好并节约能源，重要的是设备应定期清洗和解冻。

设备打开时会进入水分并沉积在设备内部的冷的表面，并形成了一层霜或冰。冰层降低冷冻机的效率，必须清除，“解冻”。

建议每三个月设备解冻一次。

解冻

请按照下列步骤进行：

1. 解冻之前疫苗必须转移到另一个工作中的冷冻机，或者带冰包的盒子里。
2. 关掉设备的电源并拔出插头。
3. 打开个放泄塞。一个位于冷柜内部。
4. 在除霜水放泄孔下放置一个托盘。
5. 将一盆热水（但不是开水）放在冷柜内，盖上冷柜盖，大约 30 分钟后，用塑料刮板铲除结霜。
6. 为了避免在除霜过程中将地板弄湿，建议时常检查除霜水盘，同时应盖好除霜排水管周围的地板，防止冰屑飞溅。当所有冰霜融化后，用水以及中性无香清洁剂清洁机柜内壁以及盖子、盖子垫片和机柜外壁。使用软布擦干冷柜。
7. 确保清洁后没有残留的水分。
8. 重新装回内部和外部放泄塞，检查盖子垫片有无缺损。
9. 打开设备并确保其冻结（温度降低）
10. 验证水包无泄漏，然后将其放回冷柜。开启大约 5 分钟之后，按照说明放置水包。关闭盖子。

清洁

1. 一旦设备解冻必须清洗。
2. 设备内部用温水和温和的清洁剂的混合物清洁。
3. 让清洗过的部件完全干燥。
4. 用温水和温和的清洁剂的混合物，或肥皂清洗设备外。
5. 盖上盖子，并按照第6页“设备降温”程序降温。

故障查寻

故障	可能的原因	补救
压缩机不运行，冰包不冷。	耐心点，很可能压缩机几分钟内就会开动。	如果不开动，请检查下列情况： <ul style="list-style-type: none"> - 检查电源是否接上，从太阳能板到设备的电缆线是否正常。 - 检查保险丝，若有必要进行更换。 - 如果上述情形正常，请给监察员打电话。
压缩机在运行中，温度太高。	通风格板堵死。 盖子关闭不妥。 设备内风扇堵死或者残损。 压缩机室风扇堵死或残损。 安装设备的室内温度过高。	确保空气流通不受阻碍。 确保盖子关闭适当。 检查风扇是否运行，若不运行应当更换。参见：服务 检查风扇是否运行，若不运行应当更换。参见：服务 遮挡设备，使之不受直接的阳光照射，并确保室内更好的通风。
无温度显示。	太阳能温度调节器功能不良。	更换太阳能温度调节器。

担保，零件和服务

质量担保免责条款

由于直接或间接的不当操作，使用错误，保养不良，不正确的建筑，安装或连接产生的故障和损害，火灾，事故，雷电，电压变化或者其它电气干扰，包括不良保险丝或者主设备的故障不包括在本担保中。

由本公司批准的服务中心之外的其他人进行的修理，以及其它厂商可以证实的生产或者材料之外的原因造成的故障不包含在本担保中。

请注意，更改设备的结构，或者更换设备的部件将导致本担保和产品责任无效，并且设备不能合法使用。等级牌上注明的批准文字也将无效。

由买方发现的运输损坏主要由买方和批发商之间解决，也就是说，批发商应确保这种投诉应当得以解决，使买方满意。

在打电话寻求技术帮助之前请检查你自己是否能排除故障。如果你要求的帮助不在本担保范围内，也就是说，如果设备出现故障是因为保险丝断裂，或者操作不当，将向你收取因为你打电话寻求帮助而产生的费用。

零件

订购零件时请说明设备的类型，系列和产品号。这些信息标注在等级板上。等级板上有各种技术信息，包括类型和系列号。

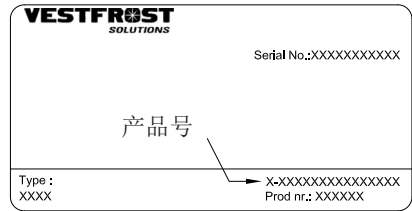
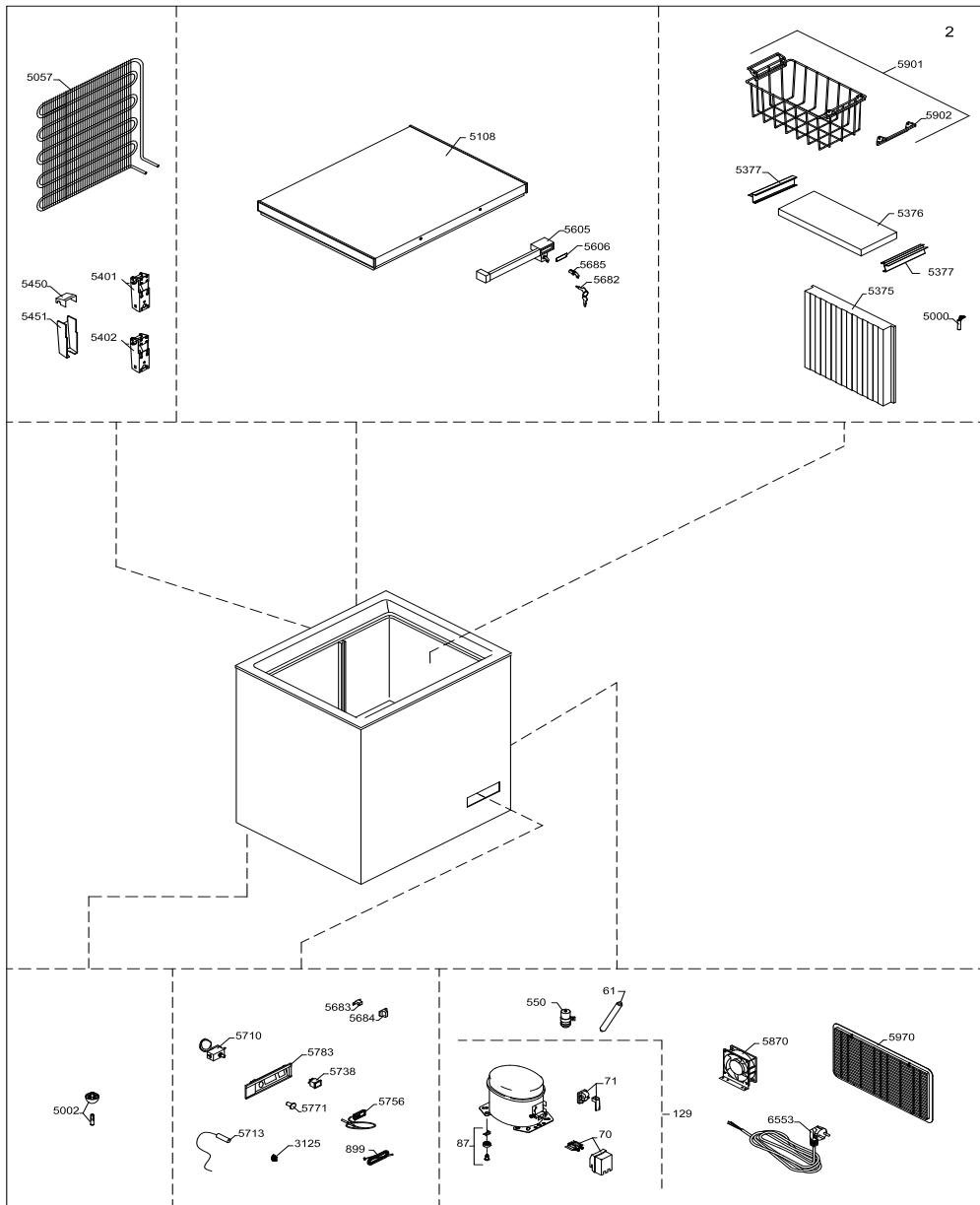
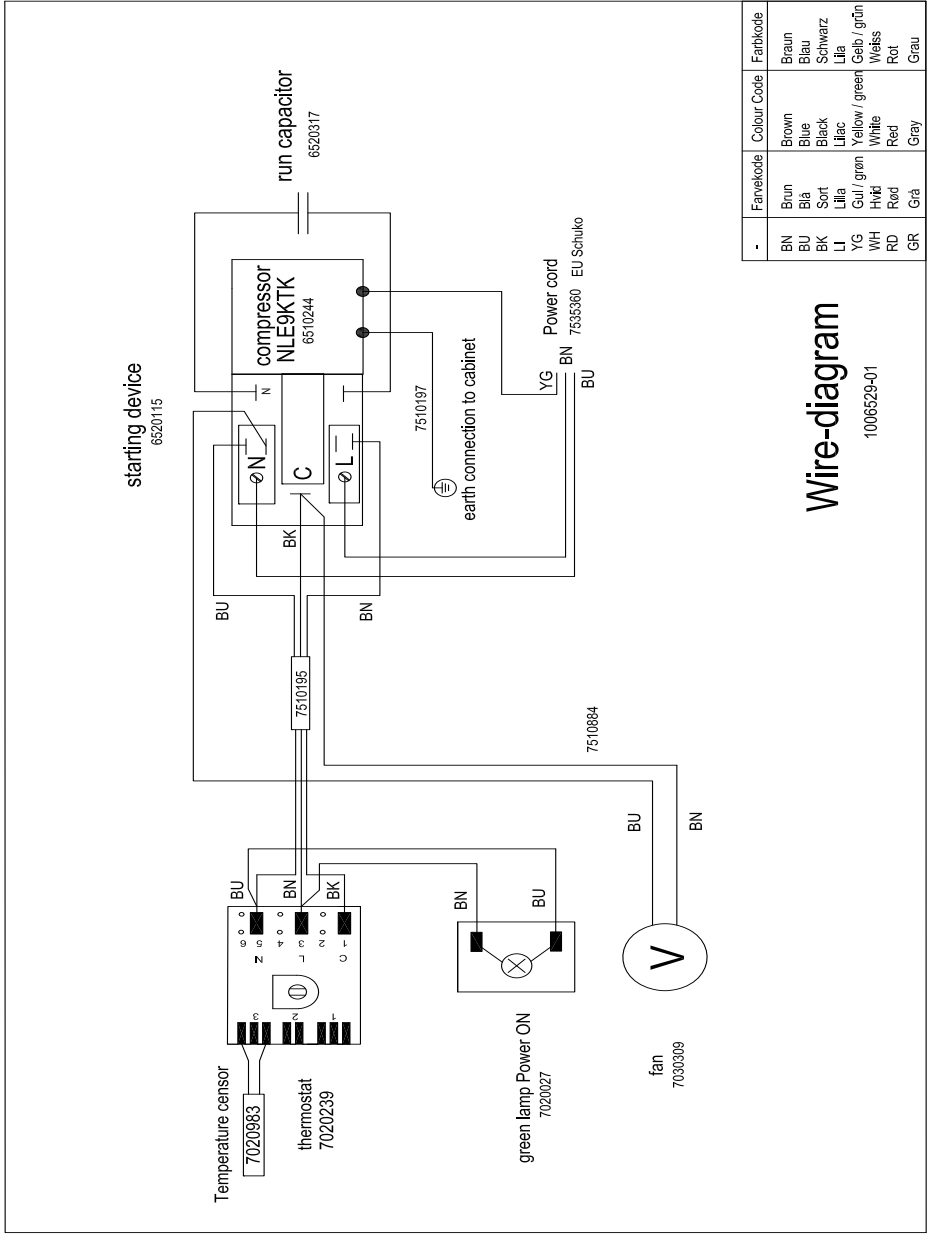


图 9

位置	物料编号	物料名称
0061	0-6538001	干燥过滤器,
0070	A921001	盖子+接线钳
0071	A921115	启动装置
0087	0-6038175	底座配件, 集, 完整
0129	8-036038255	压缩机 - 非线编9KTK
0550	6520317	操作电容4 μ F
0899	7020983	温包
3125	3010457	管子支架
5000	3010049	排水塞子
5002	6000959	带钉地脚
5057	6010084	凝结器
5108	5000917670	无把手/活页盖
5375	6000965	分割装置, 成套
5376	5020105	快速冷冻室盖
5377	3020245-23	处理
5401	1510133	合页
5402	1510136	用弹簧铰链
5450	3011135-01	活页盖上部
5451	3010032-01	活页盖底部
5605	304090501	带锁扣手柄
5606	8090342-94	手柄镶嵌
5682	1510046	键, 设置 - 2PC。
5683	2040145	手柄闭止器
5684	3010265-01	闭止器盖
5685	600098801	锁与钥匙
5707	7020248	电压稳定器
5710	7020239	温度调节器
5713	7020960	传感器NTC S1, 冷却
5738	7010027	指示灯, 绿色;
5756	7020164	温度计, 太阳能
5771	3010051-01	温度调节器旋钮
5783	3040146	控制板
5870	6000308	风扇
5901	353090001	带手柄的篮子
5902	3010107-01	篮子备用手柄
5970	3010308-01	电机网罩
6553	7535360	电源线, Schuko, 3G1/2600





Wire-diagram

1006529-01

Fanvekode	Colour Code	Farbkode
BN	Brown	Braun
BU	Blue	Blau
BK	Black	Schwarz
LI	Lilac	Lilac
YG	Yellow / green	Gelb / grün
WH	White	Weiss
RD	Red	Rot
GR	Gray	Grau

处理

向用户提供的有关收集 和处理旧设备和 旧电池的信息



产品上，包装上和/或随同产品的文件中的这些符号表示，用过的电气、电子产品和电池不能混同一般家庭垃圾。为了能合适地处理，回收和再利用旧产品和旧电池，请你按照你本国的立法和2012/19/EU，2006/66/EC法令将它们送到指定的回收点。

合适地处理这些产品和电池，你为保留有用的资源和防止它们可能对人类的健康和环境造成有害的影响作了贡献，避免不适当处理废品造成的恶果。

如果需要获得更多的关于产品和电池回收和再利用的信息，请和当地政府机关，废物处理服务中心或者你购买产品的销售点联系。

根据国家法律，不适当地处理这些废品可能会受到惩罚。



对于欧盟的商业用户
如果你希望拆卸电气和电子设备，请和你的批发商和供应商联系，获取进一步的信息。

[欧盟之外的其它国家有关处理这些废物的信息]

这些符号仅在欧盟有效。 如果你希望拆卸本产品，请与你的当地政府机关或者销售商联系，询问处理的正确方法。



请注意电池的符号(例如底部的两个符号)：

本符号可以用于和化学符号组合。 这里它符合法令对涉及的化学元素的规定。

التخلص من الأجزاء القديمة والمستعملة

معلومات للمستخدمين عن كيفية جمع الأدوات القديمة
والبطاريات المستعملة والتخلص منها



للمستخدمين التجاريين بالاتحاد الأوروبي.
في حال رغبتك في التخلص من الأدوات الكهربائية
والإلكترونية، يرجى الاتصال بتاجرِك أو موزعك
للحصول على مزيد من المعلومات.

**[معلومات عن كيفية التخلص في بلاد أخرى خارج
الاتحاد الأوروبي]**

تسري هذه الرموز في الاتحاد الأوروبي فقط. وفي
حال رغبتك في التخلص من هذا المنتج، يرجى
الاتصال بالسلطة المحلية أو التاجر الذي تتعامل معه
والسؤال عن طريقة التخلص الصحيحة.

**ملاحظة لرمز البطارية (يوجد بالأسفل مثالين
للمرئ):**

قد يستخدم هذا الرمز بالاتحاد مع رمز كيميائي.
في هذه الحالة يتماشى مع المتطلبات التي تحددها
التوجيهات الخاصة بالمادة الكيميائية المذكورة.



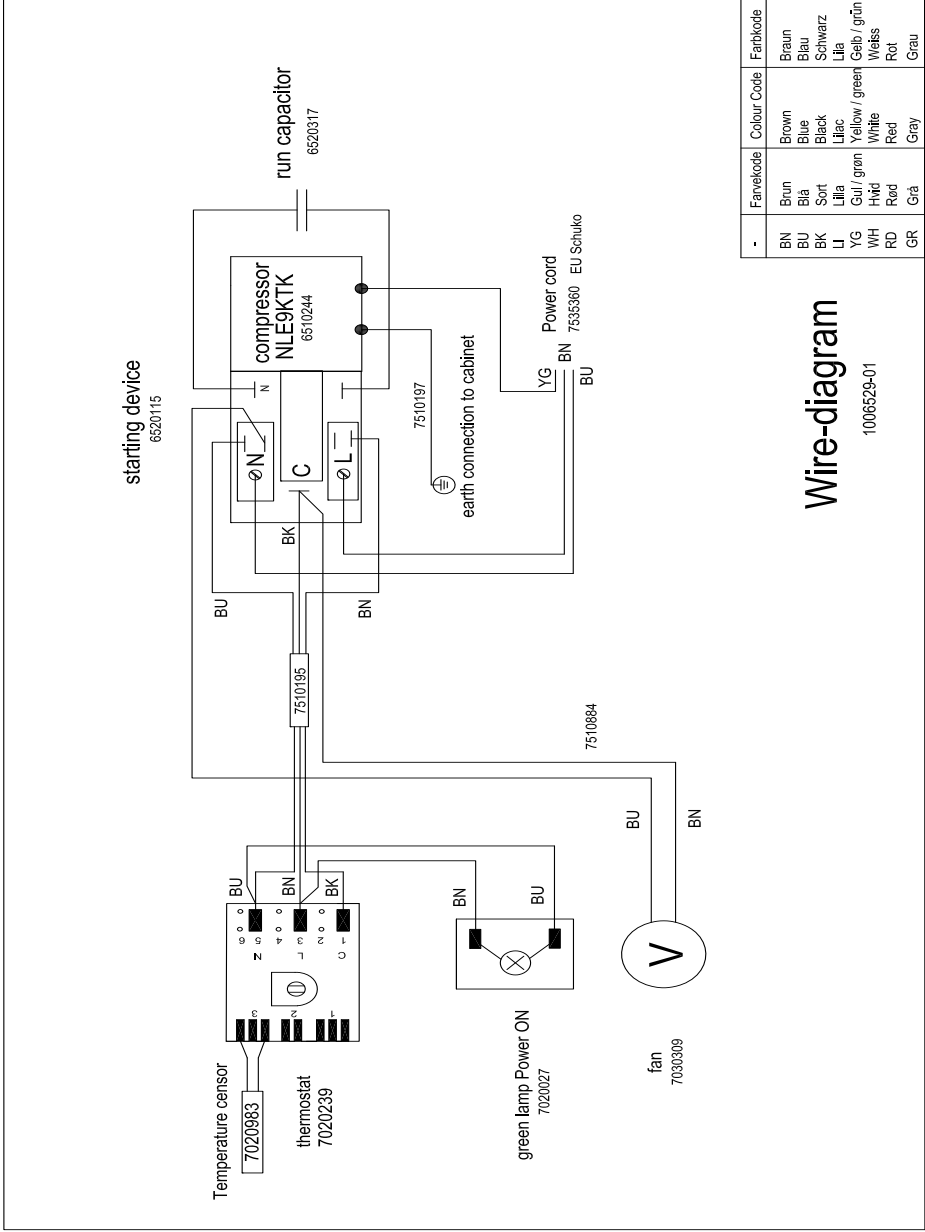
هذه الرموز الموجودة على المنتجات، العبوات
و/أو الوثائق المرفقة تعني أنه لا يجب خلط المنتجات
الكهربية والإلكترونية والبطاريات مع المخلفات
المنزلية العامة. وللتعامل مع المنتجات القديمة
والبطاريات المستعملة بطريقة خاصة وإعادة استخدام
هذه المواد وإعادة تدويرها، يرجى أخذها لنقاط تجميع
مناسبة، وتطبيق التوجيهات المحلية والتوجيهات
EU/2012/19 و EC/2006/66.



بالتخلص من هذه المنتجات والبطاريات بشكل
صحيح، سنساعد في حفظ الموارد القيمة ومنع أي
أثار سلبية محتملة على صحة الإنسان وسلامة البيئة
التي قد تنتج عن التعامل غير السليم مع المخلفات.

ولمزيد من المعلومات عن تجميع وإعادة تدوير
المنتجات القديمة والبطاريات، يرجى الاتصال بمجلس
البلدية المحلي، أو خدمة التخلص من المخلفات
الخاصة بك أو نقطة البيع حيث تشتري أغراضك.

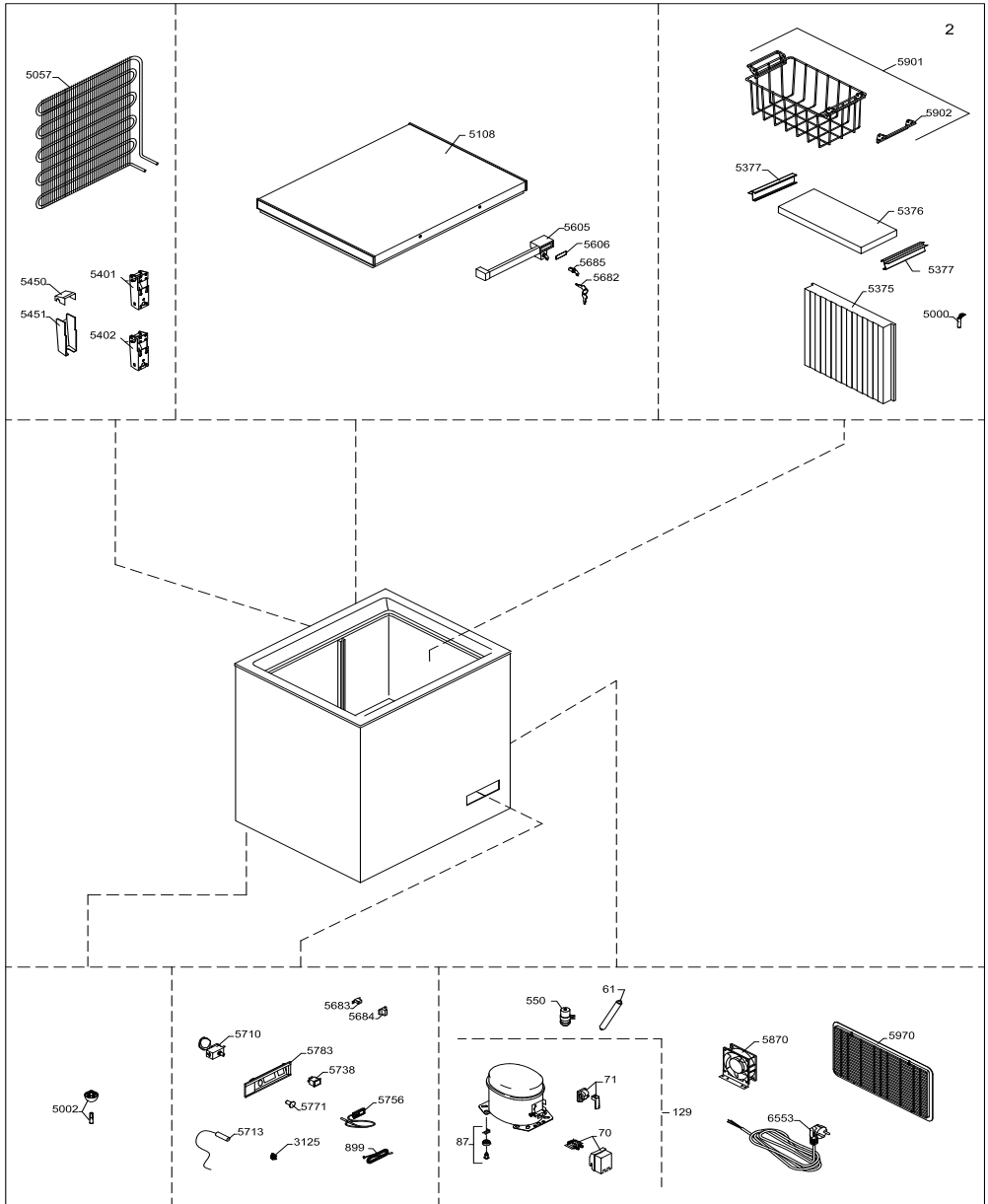
قد يتم تطبيق العقوبات نتيجة التخلص الغير صحيح
من المخلفات، تماشيا مع القوانين المحلية.



Wire-diagram

1006529-01

Farvelkode	Colour Code	Farbkode
BN	Brown	Braun
BU	Blue	Blau
BK	Black	Schwarz
LI	Lilac	Lilla
YG	Yellow / green	Gelb / grün
WH	White	Weiss
RD	Red	Rot
GR	Grey	Grau



اسم الصنف	رقم الصنف	المهنة
فلتر جفافة	0-6538001	0061
الغطاء + مشبك الأسلاك	A921001	0070
تشغيل الجهاز	A921115	0071
لوحة التجهيزات الأساسية، ومجموعة كاملة	0-6038175	0087
NLE 9KTK - ضاغط	8-036038255	0129
4µF التثغلي مكثف	6520317	0550
جهاز استشعار	7020983	0899
حامل أنابيب	3010457	3125
سداد تفرغ	3010049	5000
قاعدة بمسمار	6000959	5002
جهاز تكثيف	6010084	5057
غطاء إسفنجي دون مقبض أو مفصلات	5000917670	5108
جزء، كامل	6000965	5375
غطاء لـحجرة التجميد السريع	5020105	5376
مقبض	3020245-23	5377
مفصل	1510133	5401
يتوقف مع الربيع	1510136	5402
الجزء العلوي لـغلاف المفصل	3011135-01	5450
الجزء السفلي لـغلاف المفصل	3010032-01	5451
مقبض به قفل	304090501	5605
،ترصيع للمقبض	8090342-94	5606
PC.مفتاح، ضبط- 2	1510046	5682
مزلاج المقبض	2040145	5683
غلاف المزلاج	3010265-01	5684
قفل مع مفاتيح	600098801	5685
استقرار الجهد	7020248	5707
الترموستات	7020239	5710
براد، NTC S1 استشعار	7020960	5713
لوحة التحكم	7010027	5738
ترموتر، شمسي	7020164	5756
مقبض الترموستات	3010051-01	5771
لوحة التحكم	3040146	5783
مروحة	6000308	5870
سلة بمقبض	353090001	5901
مقبض احتياطي للسلة	3010107-01	5902
شاشة المحرك	3010308-01	5970
كابل الطاقة، Schuko, 3G1/2600	7535360	6553

الضمان وقطع الغيار والخدمة

قطع الغيار

عند طلب قطع الغيار، يرجى ذكر النوع والرقم التسلسلي وأرقام المنتج الخاصة بجهازك. توجد هذه المعلومات على لوحة التصنيف. تحتوي هذه اللوحة على العديد من المعلومات الفنية، منها النوع والأرقام التسلسلية.



إبطال صلاحية الضمان

حالات الأعتال والتلف المباشرة أو الغير مباشرة التي تنتج عن التشغيل الغير صحيح وسوء الاستخدام والصيانة الغير كافية والتجميع والتركييب والتوصيل الغير صحيح. الحرائق والحوادث والتغير في الجهد أو أي تدخل كهربى آخر، بما فيها الصمامات النالفة أو الأخطاء في تركيب مصادر الكهرباء مثل هذه الأشياء لا يقوم الضمان بتغطيتها.

ولا يقوم الضمان أيضاً بتغطية الإصلاحات التي قامت بها مراكز غير مراكز الصيانة المعتمدة وأي أخطاء وتلفيات أخرى يمكن للمصنع إثبات أنها حدثت بأسباب أخرى غير عيوب التصنيع أو عيوب المواد.

يرجى ملاحظة أن التغييرات التي تطرأ على بنية الجهاز أو التغييرات التي تطرأ على معدات تجهيزه ستؤدي إلى إبطال ضمان وموثوقية المنتج، وعندما يكون استخدام الجهاز غير مطابق للقانون. وسيكون الاعتماد المدون على لوحة التصنيف باطل أيضاً.

أما عن أضرار النقل التي يكتشفها المشتري فهي أمر يتم تسويته بين المشتري والموزع، على سبيل المثال يجب على الموزع ضمان حل مثل هذه الشكاوى لصالح المشتري.

قبل طلب المساعدة الفنية، يرجى التأكد من إمكانية قدرتك على إصلاح الخطأ بنفسك. وفي حال عدم تغطية الضمان لطلبك للمساعدة، على سبيل المثال في حال عطل الجهاز نتيجة انفجار صمام أو تشغيل غير صحيح، فستدفع تكاليف طلبك للمساعدة الفنية.

مواجهة المشكلات

المشكلة	السبب المحتمل	الحل
الضاغط لا يعمل والحوامل المخصصة لحمل اللقاحات ليست باردة	كن صبورًا، فعلى الأرجح أن الضاغط سيبدأ في العمل خلال دقائق معدودة.	في حال توقف الضاغط عن العمل، تأكد من التالي: - تأكد من توصيل الطاقة وسلامة السلك الذي يصل الخلايا الشمسية بالجهاز. - تأكد من الصمام واستبدله في حال الحاجة إلى ذلك. - في حال عدم ثبوت شيء مما ذكر آنفاً اتصل بالمشرف الفني.
الضاغط يعمل، ودرجة الحرارة مرتفعة جدًا	يوجد ما يعيق شبكة التهوية. الغطاء غير مغلق بإحكام. يوجد ما يعيق المروحة الموجودة بداخل الجهاز أو أنها تالفة. يوجد ما يعيق المروحة الموجودة بحجرة الضاغط أو أنها تالفة. درجة الحرارة بالغرفة التي يوجد بها الجهاز مرتفعة جدًا.	تأكد من عدم إعاقة انتشار الهواء. تأكد من إحكام إغلاق الغطاء. تأكد من عمل المروحة، وفي حال عدم عملها يجب استبدالها. راجع قسم: الصيانة تأكد من عمل المروحة، وفي حال عدم عملها يجب استبدالها. راجع قسم: الصيانة احجب الجهاز عن أشعة الشمس المباشرة وتأكد من تهوية الغرفة بطريقة أفضل.
لا يوجد درجة حرارة معروضة	الترومتر الشمسي لا يعمل.	قم بتغيير الترمومتر الشمسي.

الغطاء وحشوة إحكام الغطاء والجزء الخارجي من الخزانة باستخدام ماء مزود بمنظف خفيف خالي من

٧. العطور. جفف ثلاجة التجميد بقطعة قماش ناعمة وتأكد من عدم بقاء أي رطوبة بعد التنظيف.
٨. أعد إدخال سدادتي فتحتي التصريف الداخلية والخارجية وتحقق من عدم وجود أي عيب بحشوة إحكام الغطاء.

٩. قم بتشغيل الجهاز وتأكد من تجمده (تتخفض درجة الحرارة)

١٠. تأكد من عدم تسرب ماء من عبوات الماء قبل إعادتها إلى حجرة ثلاجة التجميد. ضع عبوات الماء وفقاً للتعليمات، بعد ٥ دقائق تقريباً من تشغيل ثلاجة التجميد. أغلق الغطاء.

التنظيف

- يجب تنظيف الجهاز بمجرد ذوبان الجليد.
- نظف الجزء الداخلي من الجهاز بمزيج من الماء الفاتر وأحد المنظفات الخفيفة
- اترك الأجزاء المنظفة لتجف تمامًا.
- نظف الجزء الخارجي للجهاز بمزيج من الماء الفاتر ومنظف خفيف أو صابون
- أغلق الغطاء واتبع الإجراءات الموضحة في صفحة ٦ تحت عنوان "تبريد الجهاز"

تعبئة الجهاز

إذابة الجليد والتنظيف

تعبئة اللقاحات

لضمان تشغيل الجهاز بكفاءة وتوفير الطاقة، لا بد من تنظيفه وإذابة الجليد به بصفة منتظمة.

عند فتح الجهاز، تمر الرطوبة وتستقر على الأسطح الباردة الداخلية وتكون طبقة من الجليد أو الثلج تؤدي هذه الطبقة الجليدية إلى انخفاض كفاءة المجمد ولذلك يجب إزالتها أي "إذابة الجليد".

يُنصح بإذابة الجليد المتكون في الجهاز كل ثلاثة أشهر.

إذابة الجليد

١. يجب نقل اللقاحات إلى مجمد آخر أو صندوق بارد به كمادات تجميدية قبل إذابة الجليد. أغلق

٢. الجهاز ثم افصل الكهرباء.

٣. افتح فتحتي التصريف. توجد سداة داخل حجرة

٤. ضع صينية أسفل فتحة تصريف الماء الناتج عن إذابة الصقيع.

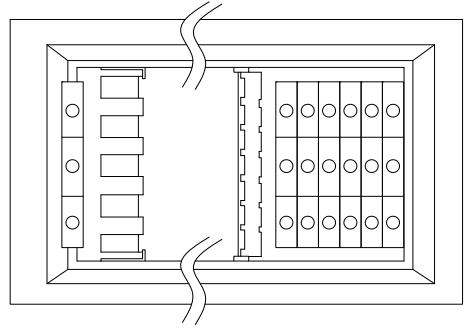
٥. ضع وعاء من الماء الساخن (ولكن ليس المغلي) في ثلاجة التجميد، وأغلق الغطاء وانتظر لمدة ٣٠ دقيقة تقريباً قبل إزالة الثلج السائب باستخدام الكاشطة البلاستيكية.

٦. لمنع تسبب الماء في إتلاف الأرض أثناء إذابة التجمد، يُنصح بالتحقق من صينية الماء الناتج من إذابة التجمد من وقت لآخر وتغطية الأرض حول فتحة تصريف الماء الناتج عن إذابة التجمد لحمايتها من الثلج ورياح الماء. وعند ذوبان الصقيع المتجمد والثلج تمامًا، نظف الخزنة الداخلية، وكذلك،

يمكن تعبئة اللقاحات عندما تستقر درجة الحرارة في المجمد، أي تتراوح بين -١٥ و-٢٠ درجة مئوية، ويتناوب الجهاز الضاغط بين التوقف والاستمرار. يجب وضع اللقاحات في الجزء الأوسط.

تعبئة الكمادات الثلجية وتجميدها

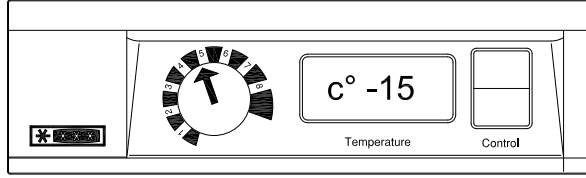
يجب وضع الكمادات الثلجية في القسم المخصص لها والدرج المعلق. تأكد من ملائمة الكمادات الثلجية لسطح جهاز التبخير. الشكل ٤.



الشكل ٤

إذا وجدت الترموستات في وضع دافئ، تذكر أن تتحقق من درجة الحرارة في قسم اللقاحات.

تبريد الجهاز

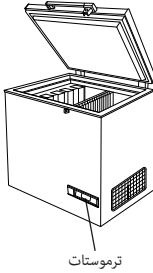


الشكل ٣

ضبط درجة الحرارة

يجب التأكد أن درجة الحرارة أقل من -١٥ درجة مئوية قبل تعبئة الجهاز باللقاحات:

هذا الجهاز مزود بترموستات واحد فقط. انظر الشكل ٢ والشكل ٣.



الشكل ٢

وهو عبارة عن ترموستات إلكتروني يتحكم في درجة الحرارة في قسمي تخزين اللقاحات والكمادات الثلجية. الإعداد ١ يعادل أدنى درجات البرودة والإعداد ٨ أقصى برودة.

- قم بضبط الترموستات على الوضع ٥
- راجع درجة الحرارة على الترموستات
- يجب تعديل الترموستات (المنظم الحراري) إذا كانت درجة الحرارة في القسم المخصص للقاحات أعلى من -١٥ درجة مئوية. يجب مراقبة درجة الحرارة على الترموستات في قسم اللقاحات بشكل دائم لتأكد من أنها في نطاق -١٥ إلى -٢٠ درجة مئوية.
- ونظرًا للتحمل الميكانيكي للترموستات، فلا بد من التحكم دومًا بدرجة الحرارة أثناء التبريد

التوصيلات الكهربائية

يجب استبدال السلك الكهربائي بواسطة الفني المختص فقط.

توفر لوحة جهد التشغيل عدة معلومات فنية، بالإضافة إلى النوع والرقم التسلسلي.

إلى الجهد استقرار وتوصيل الجهد استقرار مقبس الحائط. توصيل الجهاز

تحقق من أن القابس ملائم لنوع المقبس. إذا لم يكن ملائماً استعن بأخصائي كهرباء مؤهل ليقوم بملاءمته. يجب تأريض هذا الجهاز.

مثبتات الجهد

يجب أن تنطبق توصيلات الأسلاك والتوصيلات الكهربائية في نظم التيار الكهربائي مع كافة الأكواد الكهربائية (المحلية والوطنية). يرجى مراجعة تلك الأكواد لمعرفة الأطوال والأحجام قبل تركيب المقصورة.

يمثل ذلك الجهاز لتوجيهات الاتحاد الأوروبي ذات الصلة، بما في ذلك توجيه الجهد المنخفض 2006/95 EEC، وتوجيه التوافقية الكهرومغناطيسية 2004/108/EC.

يجب أن يكون الوصول إلى المقبس بحرية ودون عوائق.

يتم توصيل الجهاز فقط إلى (٢٤٠/٢٢٠ فولت، ٥٠ هرتز) تيار متردد، وذلك عبر مقبس مؤرض ومثبت بشكل صحيح.

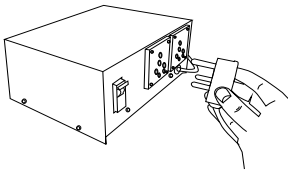
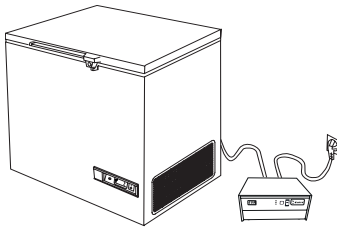
يجب تركيب قاطع تيار للقابس باستخدام قاطع تيار ١٠-١٣ أمبير.

إذا تم تشغيل الجهاز في بلد غير أوروبي، يجب فحص لوحة جهد التشغيل لمعرفة إذا ما كان الجهد ونوع التيار المشار إليه يتوافق مع قيم مصدر التيار الكهربائي الخاص بك.

كافة معلومات الجهد الكهربائي والتيار الكهربائي، مذكورة في لوحة جهد التشغيل.

يجب استبدال السلك الكهربائي بواسطة الفني المختص فقط.

توفر لوحة جهد التشغيل عدة معلومات فنية، بالإضافة إلى النوع والرقم التسلسلي.



نزع الغلاف والتركيب

معلومات عامة

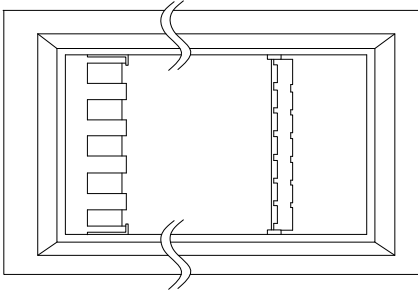
طراز MF هو مجمّد لتخزين اللقاحات والكمادات الثلجية. يحتوي على قسمين، أحدهما لتخزين اللقاحات والآخر لتجميد كمادات الثلج.

مصدر الطاقة الكهربائية

جهاز مجمّد اللقاحات من طراز MF مزود بضغوط متين يمكنه العمل في جهد كهربائي (فولطية) أقل بنسبة ٢٢ ٪ من الجهد الكهربائي الاعتيادي. انظر لوحة المعلومات الفنية. إذا تجاوزت التباينات الفولطية هذا الحد، يُوصى باستخدام مثبت فولطية تلقائي.

توفر لوحة المعلومات الفنية العديد من المعلومات الفنية بالإضافة إلى النوع والرقم التسلسلي.

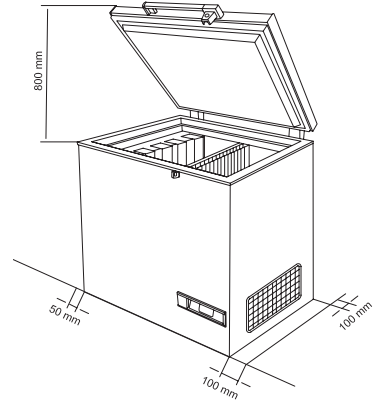
١. انزع أغلفة الجهاز وتأكد أنها لم يتعرض للتلف. إذا لاحظت أي تلف ابلغ مشرفك.
٢. تحقق من المواصفات للحصول على الجهد الكهربائي والتردد الصحيح (الشكل رقم ٦ - صفحة ١٠).
٣. افتح الغلاف وانزع كل مواد التغليف الداخلية.



التركيب

يجب وضع الجهاز في غرفة ذات تهوية جيدة، دون تعريضه بشكل مباشر لضوء الشمس وإبقائه بعيداً عن أي مصادر تسخين أخرى.

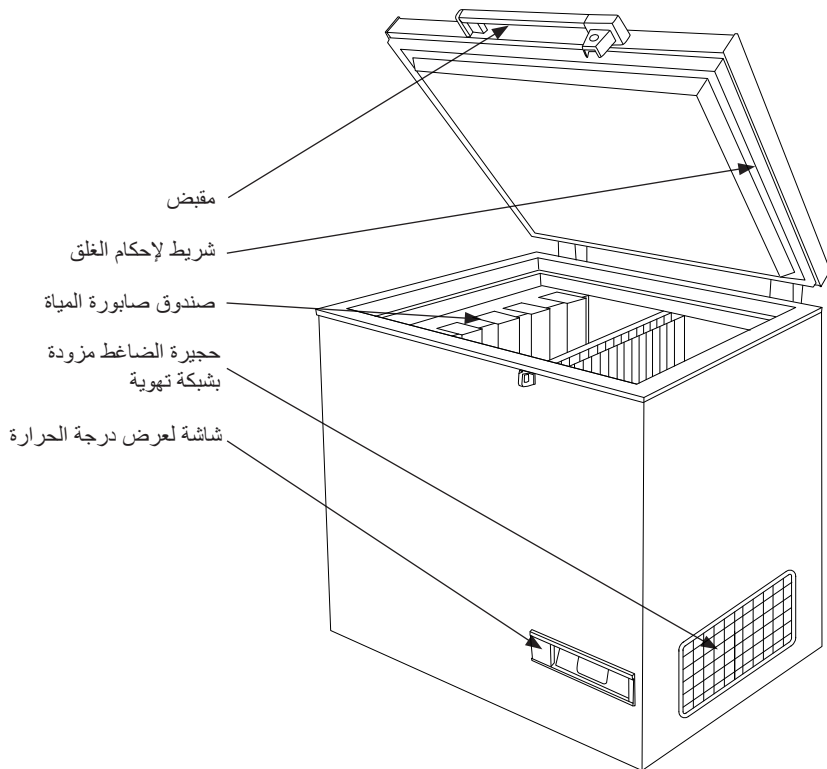
يُوضع الجهاز على الأرض، وتأكد من استوائها. احرص على ترك مسافة ٥٥ مم يحد أي بين الجدار والجانب الخلفي والأيسر للجهاز، ومسافة ١٠٠ مم على الأقل بين الحائط والجانب الأيمن للجهاز. في حالة تثبيت الجهاز في غرفة بها ثلاجات ومجمّادات أخرى، تأكد من وجود مسافة ٢٠٠ مم على الأقل بين الأجهزة وبعضها.



ملاحظة: عند تثبيت الجهاز يتعين مراعاة سهولة الوصول إلى شبكة التهوية.

يجب أن يوجد مسافة لا تقل عن ٣٠ ملم بين قاعدة الجهاز والأرضية.

تعرف على المبرد الخاص بك



تحذير

بما أن الجهاز يحتوي على مُبرد قابل للاشتعال، يجب التأكد من صلاحية أنابيب التبريد.

تحذير:

لا يجب أن يقوم الأطفال بالتنظيف أو صيانة المستخدم دون إشراف

تحذير:

يجب الحفاظ على فتحات التهوية الموجودة في هيكل الجهاز أو المدمجة في الهيكل بعيدة عن أي عوائق

تحذير: تجنب وضع منافذ مأخذ توصيل محمولة متعددة أو مصادر طاقة محمولة في الجزء الخلفي من الجهاز.

تحذير:

لا يجب أن يقوم الأطفال بالتنظيف أو صيانة المستخدم دون إشراف

تحذير:

لا تستخدم أي أجهزة ميكانيكية أخرى، أو أي وسائل أخرى لتسريع عملية إذابة الجليد غير تلك التي وصى بها المُصنع

تحذير:

لا تُحدث أضرار بنظام التبريد

الأجهزة تستخدم غاز النفخ العازل القابل للاشتعال. للحصول على معلومات حول التخلص الآمن، يرجى الاتصال بخدمة التخلص المحلية. انظر قسم التخلص.

تحذير:

لا تستخدم أجهزة كهربائية داخل حجرة التخزين المُبردة، ما لم تكن من النوع الذي وصى به المُصنع

تحذير:

لا تعرض الجهاز للأمطار

تحذير:

هذا الجهاز غير مخصص للاستخدام من قِبل الأطفال، والأشخاص ذوي القدرات الجسدية، أو الحسية، أو العقلية المحدودة، أو ذوي نقص الخبرة والمعرفة، ما لم يتم الإشراف عليهم أو إعطائهم التعليمات بشأن استخدام الجهاز بطريقة آمنة وفهم المخاطر المعنية.



تحذير:

لا يجب أن يقوم الأطفال بالتنظيف أو صيانة المستخدم دون إشراف

تحذير: تجنب وضع منافذ مأخذ توصيل محمولة متعددة أو مصادر طاقة محمولة في الجزء الخلفي من الجهاز.

المحتويات

٣	تحذير.....
٤	تعرف على المجدد الخاص بك.....
٥	معلومات عامة.....
٥	نزع الغلاف والتركي.....
٦	التوصيلات الكهربائية.....
٦	مثبتات الجهد.....
٧	تبريد الجهاز.....
٨	تعبئة الجهاز.....
٨	تعبئة الكمادات الثلجية وتجميدها.....
٨	إذابة الجليد والتنظيف.....
١٠	مواجهة المشكلات.....
١١	الضمان وقطع الغيار والخدمة.....
١٢	قائمة قطع الغيار.....
١٥	التخلص من الأجزاء القديمة والمستعملة.....

PQS Code	Model	PQS Performance specifications Specification reference:	PQS Independent type-testing protocol Product verification protocol:
E003/024	MF 114	E003/FZ01.2	E003/FZ01-VP.2



مجمد اللقاقات والكمادات الثلجية MF 114



ARA مداخلتسالاميلعت